

Bend

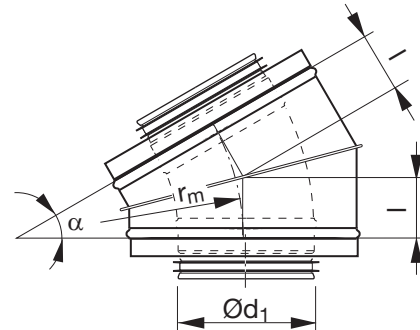
BFUI 30°



Description

Segmented and lockseamed bend.

Dimensions



$$r_m \approx (0,8-2) \cdot d_1$$

Ød ₁ nom	l mm	m kg
100	54	1,03
125	60	1,35
160	67	1,95
200	54	2,67
250	69	3,65
315	83	4,48
400	99	6,90
500	105	10,1

Ordering example

Product	BFUI	315	30	50
Dimension Ød ₁				
Angle α				
Type				

- 1
- 2
- 3
- 4
- 5
- 6
- 7
- 8
- 9
- 10
- 11
- 12
- 13
- 14
- 15
- 16
- 17
- 18