

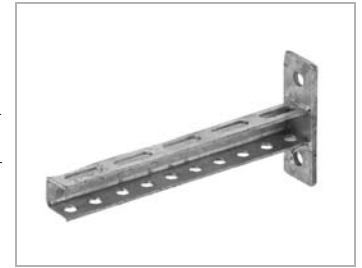
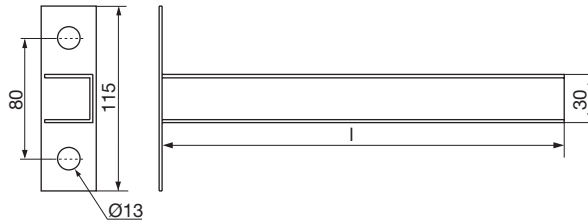
# Channels and channel brackets

## CL

### Cantilever

Material: Hot dipped galvanized.  
To be fixed of walls, floors and ceilings as an assembly profile.

Length mm
150
200
250
300
400



### Ordering example

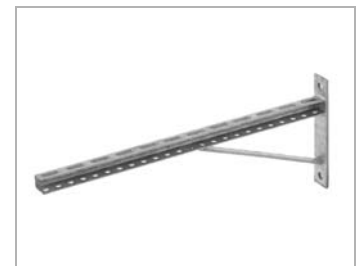
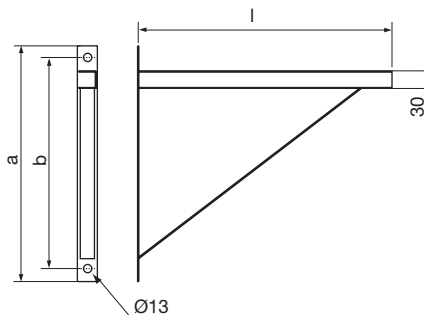
Product	CL	200
Length		

## CLS

### Supported cantilever

Material: Hot dipped galvanized.  
To be fixed of walls, floors and ceilings as an assembly profile. The diagonal support bar makes it suitable for heavy loads.

Length mm	a mm	b mm
400	230	190
500	230	190
600	230	190
800	400	360
1000	400	360



### Ordering example

Product	CLS	600
Length		

1

2

3

4

5

6

7

8

9

10

11

12

13

14

15

16

17

18