

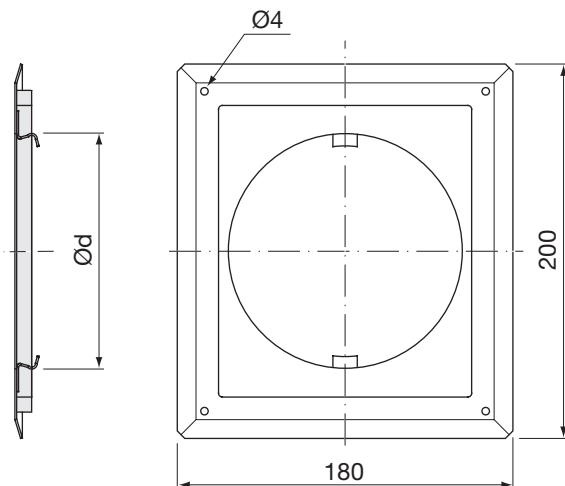
Cover socket

VRR

- 1
- 2
- 3
- 4
- 5
- 6
- 7
- 8
- 9
- 10
- 11
- 12
- 13
- 14
- 15
- 16
- 17
- 18



Dimensions



Ød nom	m kg
100	0,23
125	0,20

Description

Cover socket with groove for unit with spring holder. Are used where older valve types are replaced.

Materials and finish

Material

Coated sheet metal.

Colour

White RAL 9003, gloss 30.

Ordering example

