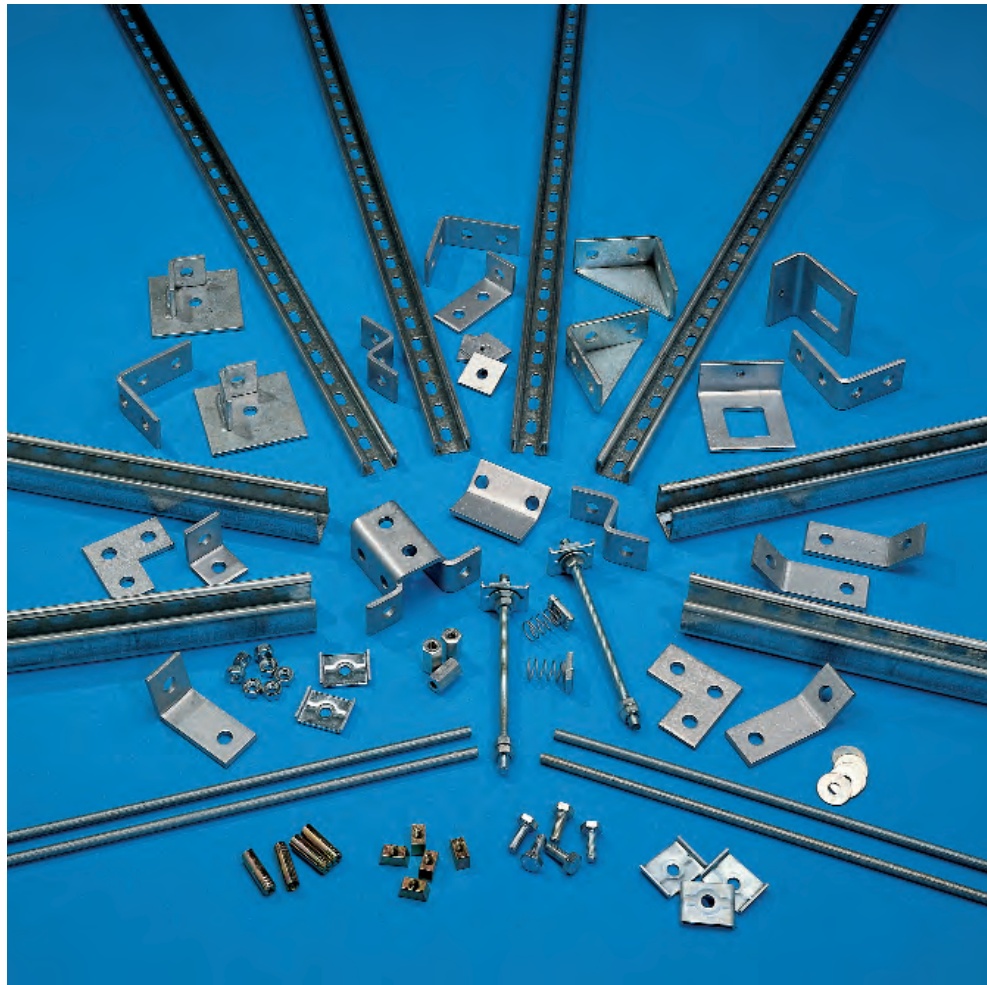




Tecstrut Channel Suspension & Framing System



- Complies with HVCA specification DW144.
- Manufactured from corrosion resistant materials.
- Channels produced in accordance with BS EN 10162: 2003
- System complies with BS6946 (1988).
- Comprehensive range of components & accessories.
- Ex-stock availability throughout the U.K.

Description

The Lindab channel suspension and framing system is designed to provide an effective yet economical solution to today's framing and support requirements. High quality materials are used throughout and the system complies with relevant industry standards including:-

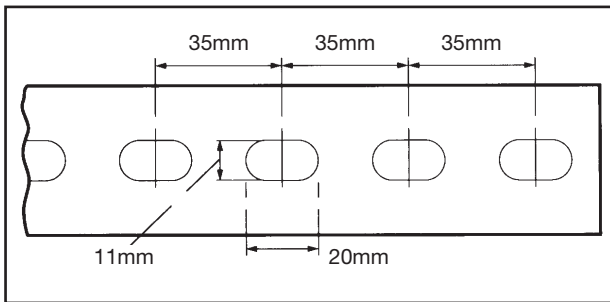
BS EN 10162: 2003 - All channels in the Tecstrut system are manufactured to comply with the tolerances detailed in this standard.

BS 6946: 1988 - The data provided takes into account the requirements of this standard for testing of channel, fittings and channel nuts.

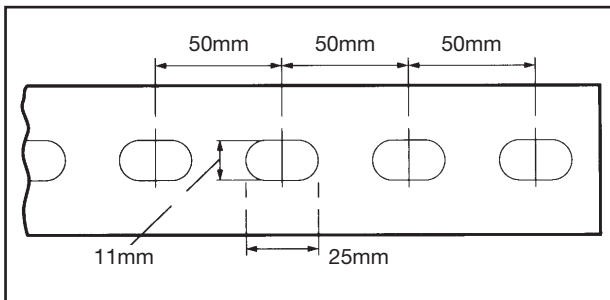
BS EN ISO 1461: 1999 - Where appropriate fittings and bracketry are post hot dip galvanised to this standard.

BS EN 10327: 2004 - Channels are manufactured from pre-galvanised steel to this specification.

Channel Slotting - 1.6mm sections



Channel Slotting - 2.5mm sections



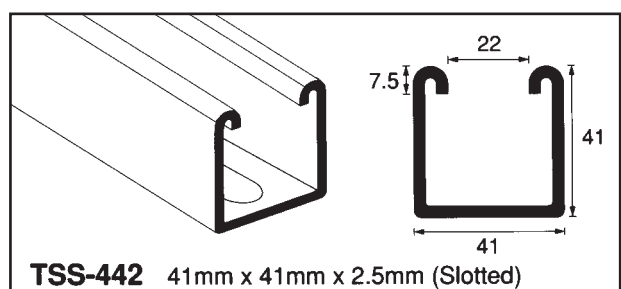
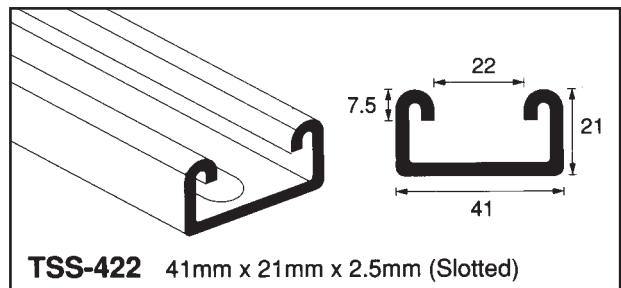
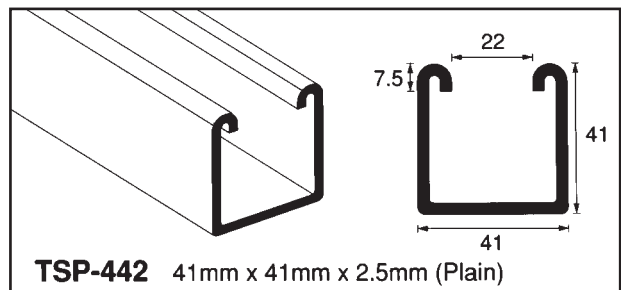
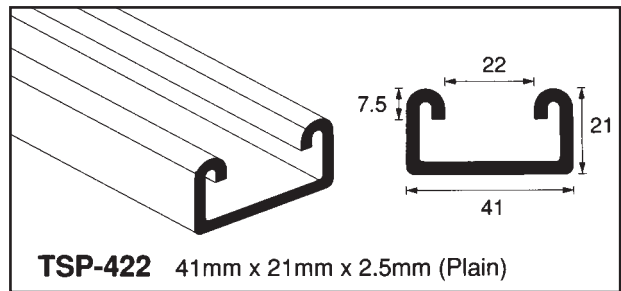
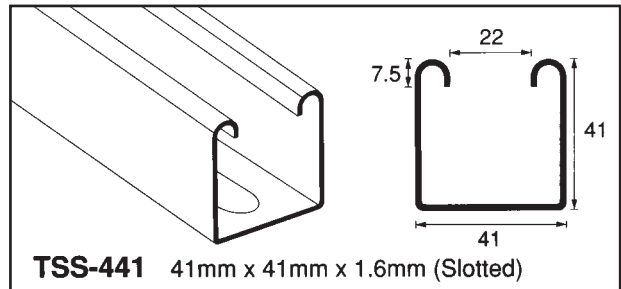
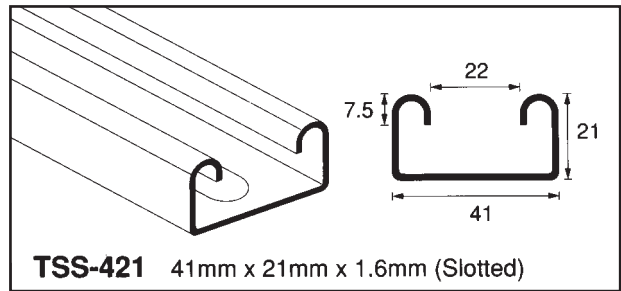
Channel Options

In addition to the channel sections shown opposite a multiple channel sections is available. This comprises two channels welded 'back to back'

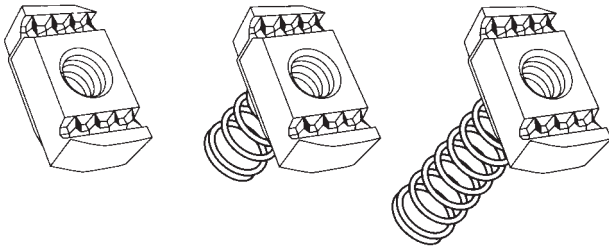
TSP-442D - 41mm x 41mm x 2.5mm x 2

Multiple channel sections are produced by spot welding together two individual pre-galvanised channels at 150mm centres. Welds are then protected by the application of corrosion inhibiting paint.

Channels



Channel Slide Nuts



Tecstrut channel slide nuts and springs are self aligning and are specially manufactured to complement the range of Tecstrut channels. The slide nut can be moved along the channel for ease of alignment whilst the springs tension the nut against the internal channel lips to facilitate installation. In addition to the shape of the slide nuts prevents turning inside the channel eliminating the need to grip the nut whilst inserting bolts or threaded rod.

Nuts are available threaded M6, M8, M10 and M12, all zinc plated.

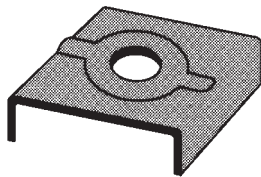
TSSN-L Long spring

TSSN-S Short spring

TSSN No spring

Springs are also available separately.

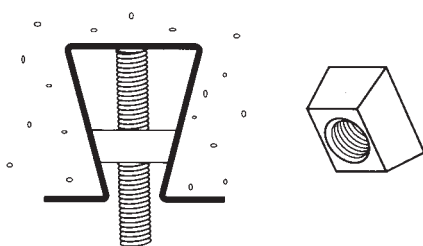
Top Plates



Ribbed rectangular washers designed to fit over the slotted channel.

Manufactured from 2.5mm corrosion resistant galvanised mild steel. 11mm diameter hole.

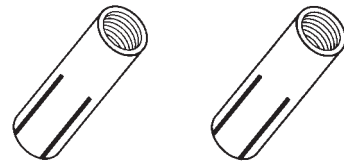
Wedge Nuts



Manufactured from steel, zinc plated.

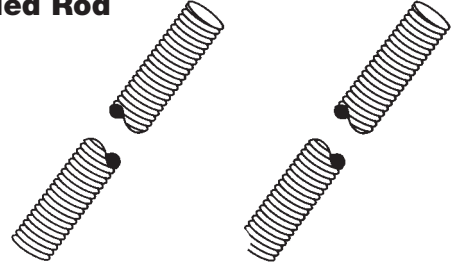
For suspending services from profiled steel shuttered decking. Available to suit 6, 8, 10 and 12mm threaded rod.

No Drill Anchors



Available for M6, M8, M10 and M12 threadings. Manufactured from steel, zinc plated.

Threaded Rod



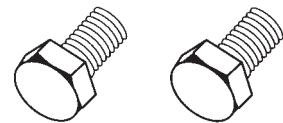
Threaded rod is manufactured from mild steel, zinc plated. Supplied in 3 metre lengths and available in M6, M8, M10 and M12 sizes.

Hexagonal Studding Connectors

Connectors are available to reduce wastage to a minimum.

Hexagonal Head Set Screws

Zinc Plated. M6 x 20, 25, 30, 35, 40mm.
M8 x 20, 25, 30, 35, 40mm.
M10 x 20, 25, 30, 35, 40mm.
M12 x 20, 25, 30, 35, 40mm.



Hexagonal Full Nut (8.8HT)

Zinc Plated. M6, M8, M10, M12.



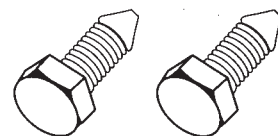
Washers

Lock Washers and Flat Washers, M6, M8, M10, M12
Penny Washers M6, M8, M10 x 30mm od.
All zinc plated.



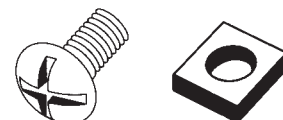
Cone Pointed Set Screws

Zinc Plated. M10 x 40mm.



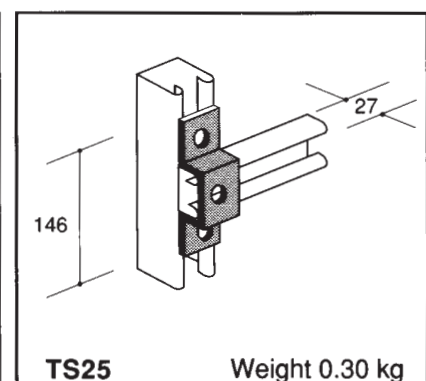
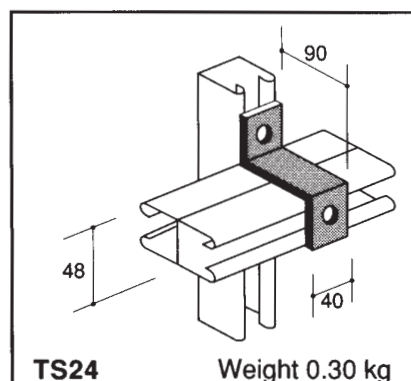
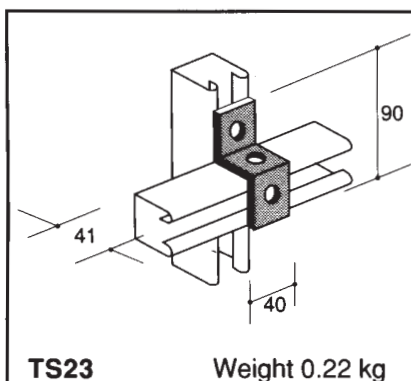
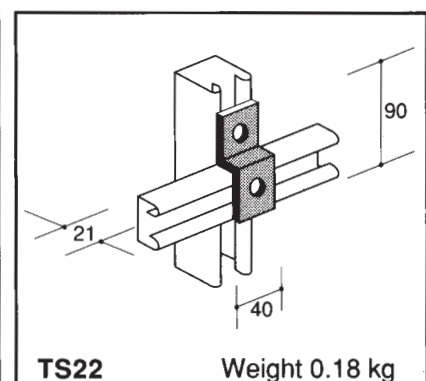
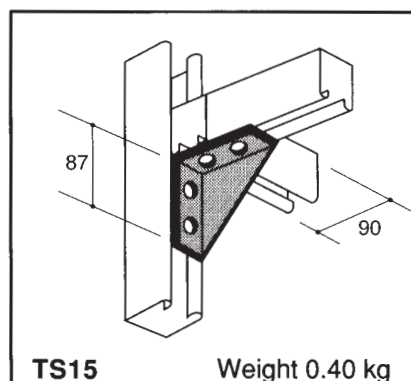
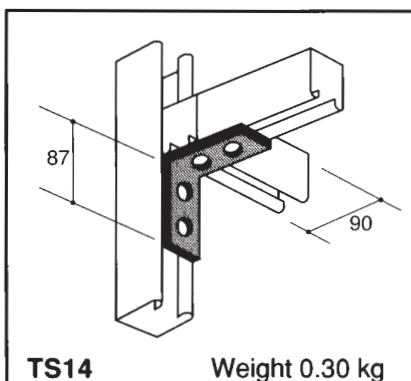
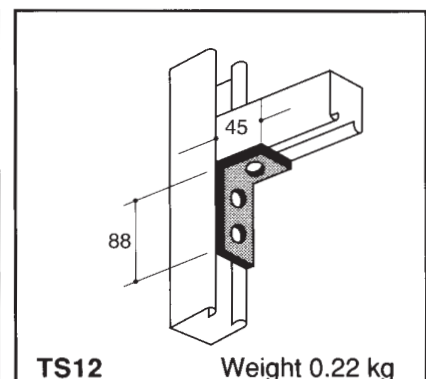
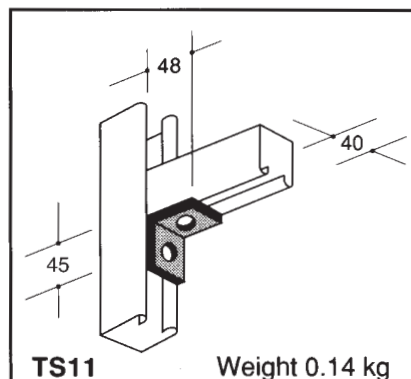
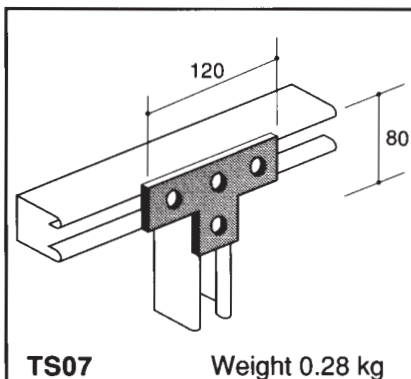
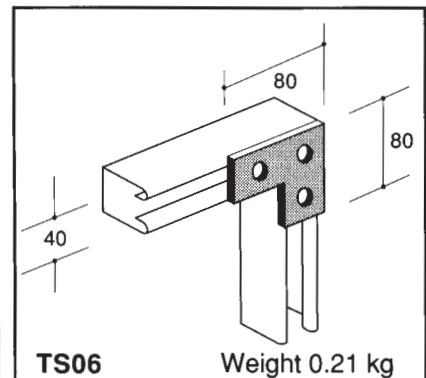
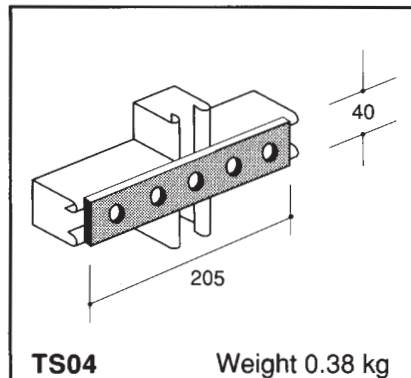
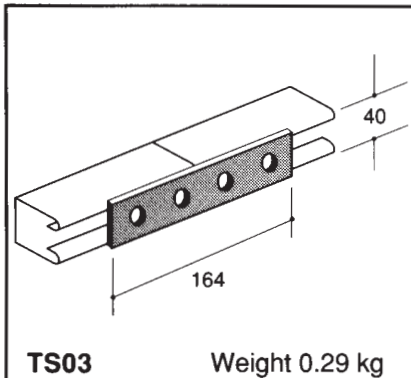
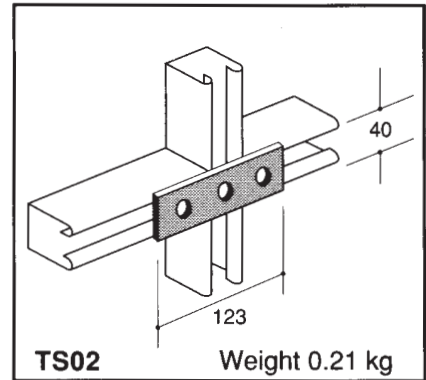
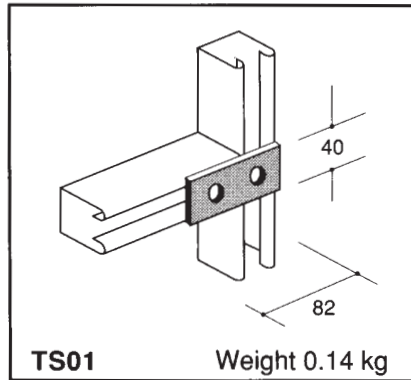
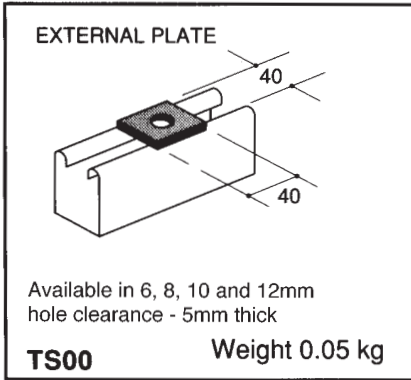
Roofing Nuts and Bolts

Zinc Plated. M6 x 20, M6 x 40, M8 x 25.



Tecstrut Fittings

All fittings are generally manufactured from 6mm thick steel strip and hot dip galvanised to BSENISO1461:1999 unless otherwise indicated. Standard hole diameter 14mm. **NOTE:** All weights and dimensions approximate.



Tecstrut Fittings

TS26 Weight 0.36 kg

Angles available 30°, 45°, 60°

TS29 Weight 0.23 kg

Angles available 30°, 45°, 60°

TS31 Weight 0.30 kg

TS33 Weight 0.75 kg

8mm thick

TS44
Note: Cone pointed screw not included.

Weight 0.26 kg

TS45/41
TS45/21
Note: Maximum loading 220kg. Cone pointed screw not included.

Weight 0.50 kg

TS48 Weight 0.12 kg

FLANGE CLAMPS

Available for M8, M10 and M12

Malleable iron, zinc plated

Please specify clearance hole required.

TS90

PURLIN CLIPS

Mild steel, zinc plated

Clearance hole allows for M10

TS91

BASE PLATES 5mm thick 14mm Ø Base Holes

TS37 Weight 1.15 kg

TS38 Weight 0.50 kg

TS39 Weight 0.56 kg

CANTILEVER ARMS, UNIVERSAL
Back Plate 8mm thick

TS40/300 - 300mm
TS40/450 - 450mm
TS40/600 - 600mm

CANTILEVER ARMS, LUGGED
Back Plate 8mm thick

Minimum length mm
TS70/300 - 300mm
TS70/450 - 450mm
TS70/600 - 600mm

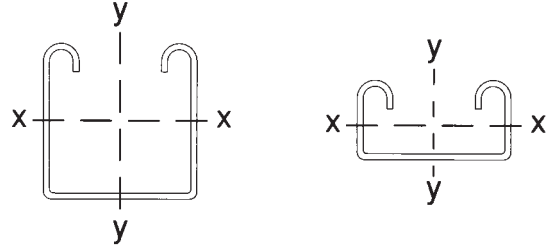
PVC CHANNEL END CAPS

Load Data

Section	Span mm	Uniform Load@ 182N/mm ² -KG (Deflection-mm)	Uniform Load@ max deflection of 1/180 of span-KG	Uniform Load@ max deflection of 1/360 of span-KG	Maximum Column Loading-KG
TSS-421	500	200 (1.8)	-	149	2010
	750	135 (4.0)	130	71	1291
	1000	103 (7.0)	80	40	799
	1250	82 (11.0)	51	26	525
	1500	68 (16.3)	35	18	372
	2000	52 (29.0)	21	10	-
	2500	41 (44.5)	13	5	-
	3000	34 (65.5)	-	-	-
TSS-441	500	655 (1.0)	-	-	3351
	750	435 (2.3)	-	394	2879
	1000	331 (4.0)	-	221	2190
	1250	257 (6.1)	-	145	1612
	1500	216 (9.0)	199	97	1195
	2000	159 (16.0)	116	55	739
	2500	130 (25.0)	73	36	501
	3000	108 (35.6)	51	25	366
TSP-422 TSS-422	500	268 (1.8)	-	210	2810
	750	180 (3.9)	-	94	1760
	1000	137 (7.0)	106	53	1043
	1250	106 (11.0)	68	34	695
	1500	90 (15.9)	48	24	490
	2000	69 (28.0)	27	13	-
	2500	55 (44.0)	17	-	-
	3000	45 (63.0)	-	-	-
TSP-442 TSS-442	500	970 (1.0)	-	-	4890
	750	649 (2.3)	-	595	4295
	1000	480 (4.1)	-	335	3390
	1250	385 (6.3)	-	215	2595
	1500	326 (9.1)	301	148	1980
	2000	246 (16.4)	171	84	1265
	2500	197 (25.7)	109	53	895
	3000	163 (37.6)	76	37	685
TSP-422D	500	801 (1.1)	-	-	6400
	750	522 (2.5)	-	450	5500
	1000	399 (4.4)	-	251	4155
	1250	312 (6.7)	-	161	2955
	1500	263 (9.7)	220	111	2125
	2000	199 (17.5)	126	63	1275
	2500	158 (27.0)	81	40	830
	3000	131 (39.0)	55	28	-
TSS-442D	500	2810 (0.5)	-	-	9450
	750	1890 (1.3)	-	-	8950
	1000	1410 (2.2)	-	-	7190
	1250	1110 (3.3)	-	-	6880
	1500	905 (5.0)	-	790	5910
	2000	705 (8.7)	-	457	3780
	2500	571 (13.6)	-	286	2490
	3000	474 (20.0)	406	199	1690

Section Properties

Section Reference	Weight kg/m	Moment of Inertia x/y in centroid (cm ⁴)		Area of cross section (cm ²)	Main axis angle x axis in centroid (deg)
		x	y		
TSS-421	1.10	0.769	3.236	1.347	90.00
TSS-441	1.57	4.366	5.452	1.914	90.00
TSS/TSP-422	1.86	1.024	4.729	2.074	90.00
TSS/TSP-442	2.65	6.363	8.307	3.035	90.00



Notes:

- The above data is based upon plain sections throughout. Where slotted channels are used multiply load from table by 0.8.
- Data is based upon uniformly distributed loads. If the load is concentrated at the centre of a span multiply load from table by 0.5 and deflection by 0.8.
- Stress 182N/mm².** Recommended when deflection is not critical, especially on longer spans.
- Deflection 1/180 of span.** Recommended when deflection should be limited.
- Deflection 1/360 of span.** Recommended when deflection needs to be imperceptible.
- Channel Nut Loads**
resistance to slip (2.5mm channels) - 16.5 KN maximum.
Pull-out strength (2.5mm channels) - 24.7KN maximum. (Bolt size M10.
Torque 70Nm).

N.B. The above data is calculated, not tested.

Spring Steel Fasteners Beam Clip Threaded Rod Hanger

Part no.	Flange	Rod thread	S.Load
RH10MT-12	2-4mm	M10	68kg
RH6MT-25	5-9mm	M6	68kg
RH8MT-25	5-9mm	M8	68kg
RH10MT-25	5-9mm	M10	68kg
RH6MT-50	10-16mm	M6	68kg
RH8MT-50	10-16mm	M8	68kg
RH10MT-50	10-16mm	M10	68kg

Vertical Flange Threaded Rod Hanger

Part no.	Flange	Rod thread	S.Load
VF1-8MT	2-5mm	M8	68kg
VF1-10MT	2-5mm	M10	68kg
VF2-6MT	5-7mm	M6	68kg
VF2-8MT	5-7mm	M8	68kg
VF2-10MT	5-7mm	M10	68kg

Z Purlin Threaded Rod Hanger

Part no.	Flange	Rod thread	S.Load
ZP6MT	2.5mm	M6	45kg
ZP8MT	2.5mm	M8	45kg
ZP10MT	2.5mm	M10	45kg

Allows perpendicular suspension for a variety of support systems.

Beam Clip Strap Hanger

Part no.	Flange	Strap	S.Load
SH125	2-4mm	25mm	72kg
SH250	5-9mm	25mm	90kg
SH500	10-16mm	25mm	90kg

Right Angle Strap Hanger

Part no.	Flange	Strap	S.Load
SHR125	2-4mm	25mm	72kg
SHR250	5-9mm	25mm	90kg
SHR500	10-16mm	25mm	90kg

Pre-assembled strap hanger and horizontal beam clip for up to 25mm strap, for either parallel or right angle installation.

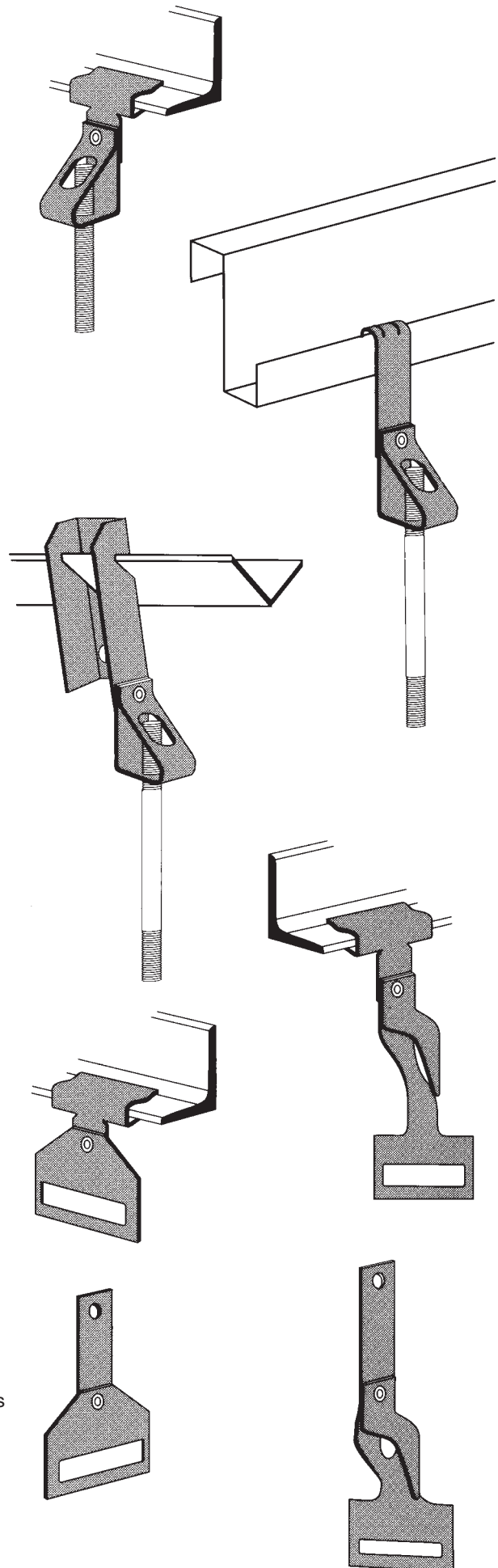
Straight and Right Angle Strap Hanger

Part no.		Strap	S.Load
RHS-SH	M6	25mm	90kg
Right Angle Strap Hanger			
RHA-SH	M6	25mm	90kg

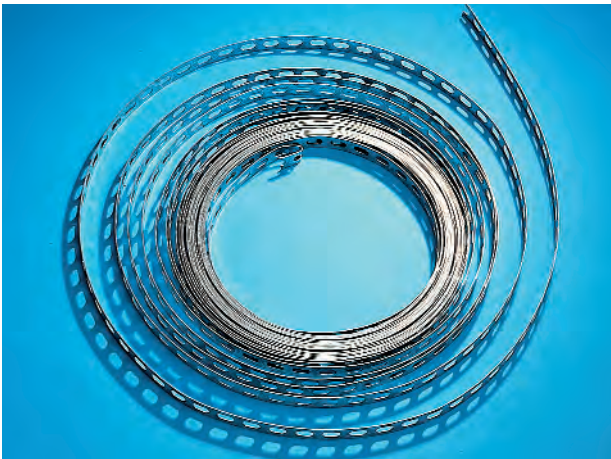
Easily mounted to wood, metal or concrete structural members with screws, bolts etc.

Notes:

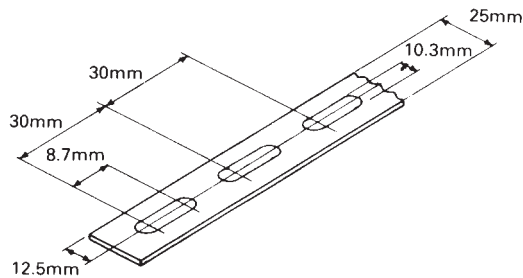
- Fasteners are protected by a zinc rich finish which incorporates an organic resin coating providing an excellent barrier to moisture and heat. Fixings are coated to a thickness of 10-12 microns to BS7371, Parts 1, 2 and 11:1981.
- Static loads given are based on tests up to x3 values listed.



Slotted Support Banding



Manufactured from corrosion resistant galvanised mild steel strip 0.9mm thick, and supplied in 30 metre coils. The elongated holes are punched at 30mm pitch to simplify alignment and fixing. Complies with the requirements of DW144.

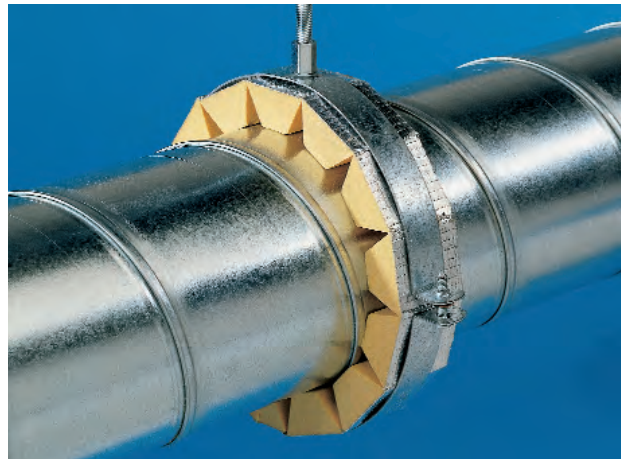


Split Rings



Manufactured from mild steel flat bar, drilled for clamping and zinc plated for a corrosion resistant finish.

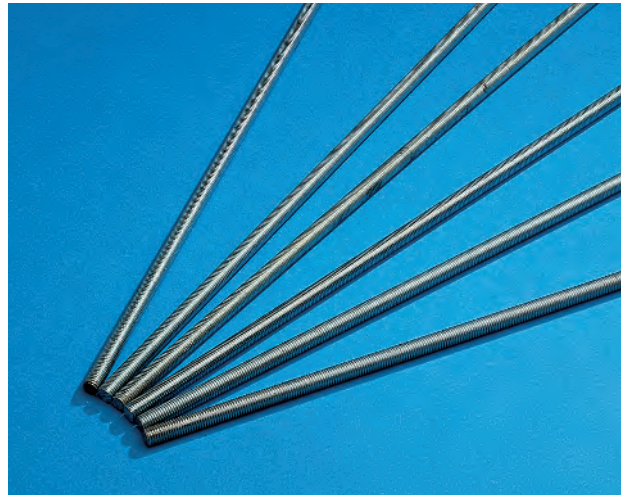
Flexible Duct Insulating Strip



A highly versatile insulation system manufactured from high density phenolic foam which provides a new and improved solution to the requirement for structural insulation where ducts and pipes are supported. Fire resistant - Class 'O' rating.

Note: Also available for rectangular ducting. Please ask for our detailed literature for further information.

Threaded Rod



Threaded rod is manufactured from mild steel, zinc plated. Supplied in 3 metre lengths and available in M6, M8, M10 and M12 sizes. Studding connectors are also available to reduce wastage to a minimum.

LINDAB Ltd

E-mail: sales@lindab.co.uk Internet: www.lindab.co.uk

North London	020 8805 3656	Cardiff	02920 794503	Leeds	0113 297 1111	Sheffield	0114 244 5444
South London	020 8603 0850	Exeter	01626 835032	Leicester	0116 255 6044	Southampton	023 8026 2111
Basildon	01268 532016	Gateshead	0191 482 5995	Lincoln	01522 567087	Stoke-on-Trent	01782 383460
Belfast	02890 781607	Glasgow	0141 419 3800	Manchester	0161 876 0688		
Birmingham	0121 552 6100	High Wycombe	01494 463490	Norwich	01603 747532		
Bristol	0117 977 1345	Kent	01474 579800	Nottingham	0115 985 1923		

Every effort is made to ensure that the information contained in Lindab literature, drawings and correspondence is accurate, but no warranty is given in this respect and the Company shall not be liable as a result of any inaccuracy. The Company reserve the right to alter at anytime, without prior notice, the design, specification, packaging or price of any article and without incurring any obligation.