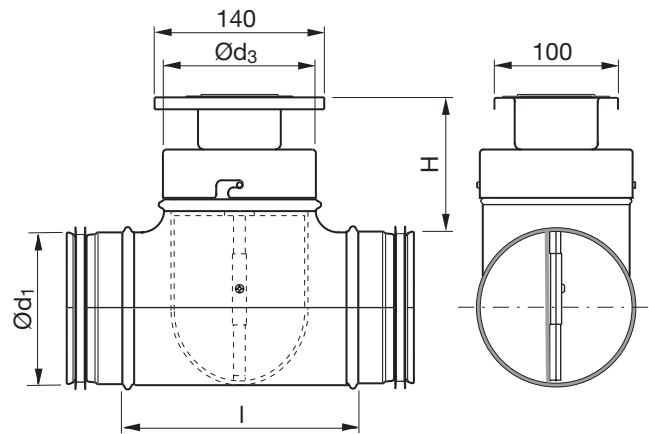


Cleaning shut-off damper

TDSU



Dimensions



Description

Cleaning shut-off damper

Consists of a KCU cleaning cover with a blade with rubber gasket and a TCPU T-piece in whose branch the cleaning cover is fixed.

The branch is provided with a Safe seal.

Since it is easy to remove the cleaning cover together with the blade, it is easy to inspect and clean the ventilation system. The original pressure balance in the system is not affected since the blade and cleaning cover retain their mutual positions which they were given during balancing.

There is a separate assembly, measuring, balancing and maintenance instruction for this product.

Ø 100–400 fullfills pressure class A in closed position.

Ød ₁ nom	Ød ₃ nom	I [mm]	H [mm]	m [kg]	Sealing class past closed blade
100	100	130	100	0,75	1
125	125	165	105	1,33	1
160	160	209	110	2,00	1
200	200	249	110	2,80	1
250	250	296	120	3,71	1
315	315	363	120	4,33	1
400	400	510	175	9,90	1

Ordering example

