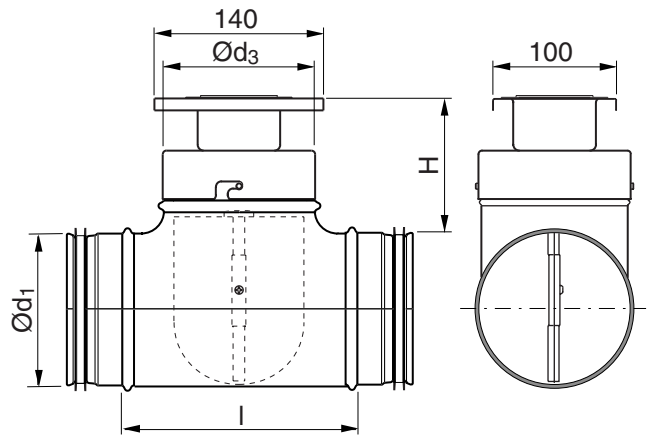


# Cleaning regulating damper

# TDRU



## Dimensions



## Description

### Cleaning regulating damper

Consists of a KCU cleaning cover with a blade without rubber gasket similar to the DRU and a TCPU T-piece in whose branch the cleaning cover is fixed.

The branch is provided with a Safe seal.

Since it is easy to remove the cleaning cover together with the blade, it is easy to inspect and clean the ventilation system. The original pressure balance in the system is not affected since the blade and cleaning cover retain their mutual positions which they were given during balancing.

There is a separate assembly, measuring, balancing and maintenance instruction for this product.

Ø 100–400 fullfills pressure class A in closed position.

| Ød <sub>1</sub><br>nom | Ød <sub>3</sub><br>nom | I<br>[mm] | H<br>[mm] | m<br>[kg] | Sealing class<br>past closed<br>blade |
|------------------------|------------------------|-----------|-----------|-----------|---------------------------------------|
| 100                    | 100                    | 130       | 100       | 0,71      | 0                                     |
| 125                    | 125                    | 165       | 105       | 1,28      | 0                                     |
| 160                    | 160                    | 209       | 110       | 1,80      | 0                                     |
| 200                    | 200                    | 249       | 110       | 2,80      | 0                                     |
| 250                    | 250                    | 296       | 120       | 3,51      | 0                                     |
| 315                    | 315                    | 363       | 120       | 4,03      | 0                                     |
| 400                    | 400                    | 510       | 175       | 9,30      | 0                                     |

## Ordering example

