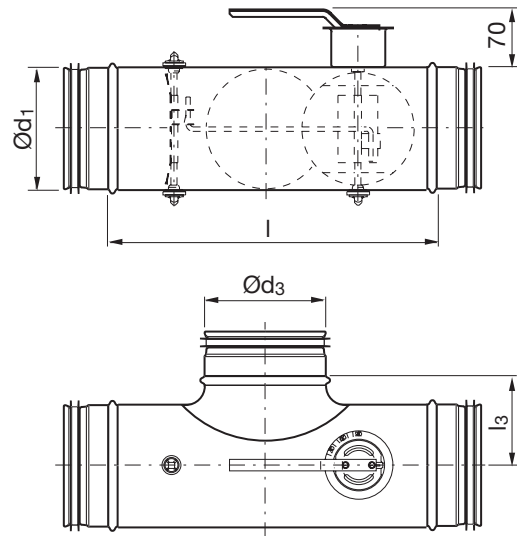


Alternating shut-off damper

TASU



Dimensions



Description

Alternating shut-off damper

Consists of an extended T-piece and two linked DSU dampers.

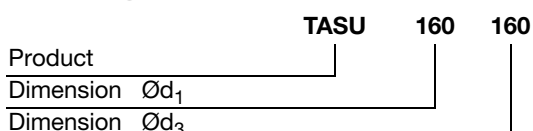
Can be used for "by pass" ducts. It thereby replaces two conventional dampers + two couplings + one T-piece and is 20–30% shorter.

There is a separate assembly, measuring, balancing and maintenance instruction for this product.

Ø 100–400 fullfills pressure class A in closed position.

Ød ₁ nom	Ød ₃ nom	l [mm]	l ₃ [mm]	m [kg]	Sealing class past closed blade
100	100	280	65	1,10	0
125	125	345	83	1,50	0
160	160	385	105	2,00	0
200	200	425	125	2,80	0
250	250	520	150	4,10	0
315	315	585	182	5,90	0
400	400	645	225	8,30	0

Ordering example



Alternating shut-off damper

TASU

Technical data

The dashed pressure drop curves refer to the flow direction in the right picture.

