

Sliding damper – manual

SKMTR



Description

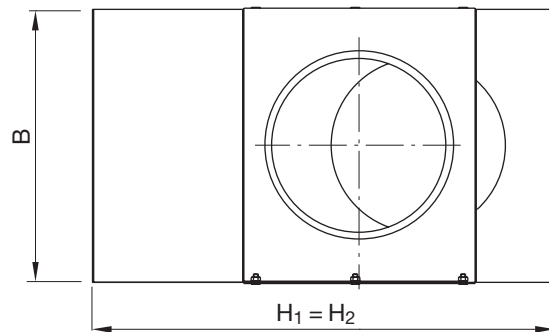
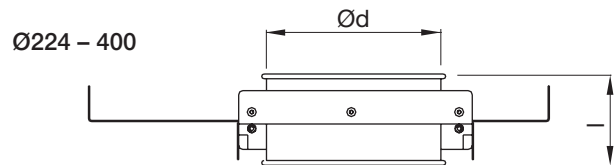
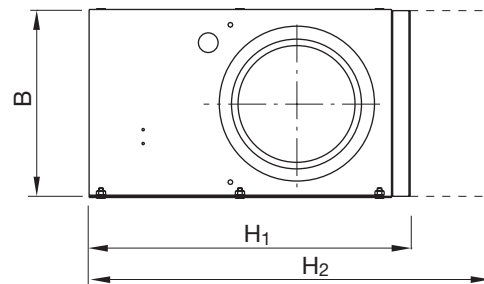
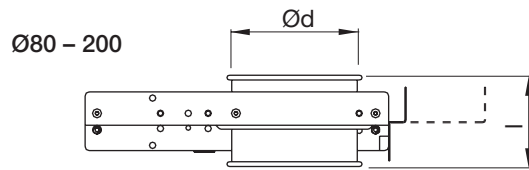
Manual shut-off sliding damper with transfer joint

The damper meets the requirements for tightness class 4 at pressure class C.

The damper meets the requirements for tightness class C only in fully closed or fully opened position.

There is a separate assembly, measuring, balancing and maintenance instruction for this product.

Dimensions



| Ød nom | H ₁ [mm] | H ₂ [mm] | B [mm] | l [mm] | m [kg] |
|-----------|------------------------|------------------------|-----------|-----------|-----------|
| 80 | 223 | 338 | 157 | 125 | 2,10 |
| 100 | 263 | 398 | 177 | 125 | 2,60 |
| 125 | 314 | 475 | 202 | 125 | 3,30 |
| 140 | 363 | 548 | 227 | 125 | 4,10 |
| 150 | 363 | 548 | 227 | 125 | 4,50 |
| 160 | 383 | 574 | 237 | 125 | 4,40 |
| 180 | 463 | 699 | 277 | 125 | 5,70 |
| 200 | 463 | 699 | 277 | 125 | 5,80 |
| 224 * | 595 | 595 | 370 | 165 | 10,2 |
| 250 * | 595 | 595 | 370 | 165 | 12,2 |
| 300 * | 717 | 717 | 425 | 165 | 18,1 |
| 315 * | 745 | 745 | 432 | 165 | 19,0 |
| 350 * | 815 | 815 | 470 | 165 | 22,5 |
| 400 * | 915 | 915 | 517 | 165 | 26,1 |

* Has thoroughgoing blade

Ordering example

| | | |
|--------------|-------|-----|
| Product | SKMTR | 200 |
| Dimension Ød | | |

Sliding damper – manual

SKMTR

Accessories and spare parts

Art.

| | |
|----------|---------------------------------|
| SPDA-01 | Solenoid valve, complete |
| SPDA-021 | Coil for solenoid valve 24 V DC |
| SPDA-022 | Coil for solenoid valve 24 V AC |
| SPDA-06 | Micro switch |
| SPDA-07 | Support for micro switch |
| SPDA-08 | Sensor cylinder |
| SPDA-09 | Support for sensor |