

Sliding damper – manual

SKMTR



Description

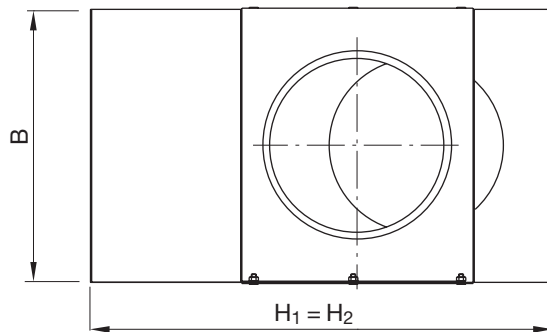
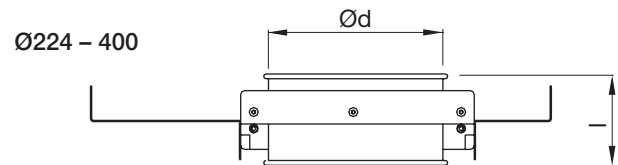
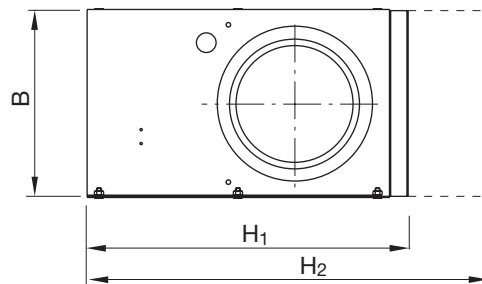
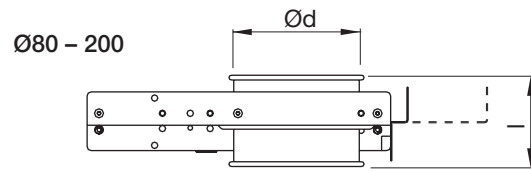
Manual shut-off sliding damper with transfer joint

The damper meets the requirements for tightness class 4 at pressure class C.

The damper meets the requirements for tightness class C only in fully closed or fully opened position.

There is a separate assembly, measuring, balancing and maintenance instruction for this product.

Dimensions



Ød nom	H ₁ [mm]	H ₂ [mm]	B [mm]	l [mm]	m [kg]
80	223	338	157	125	2,70
100	263	398	177	125	3,00
125	314	475	202	125	3,60
140	363	548	227	125	4,50
150	363	548	227	125	4,50
160	383	574	237	125	4,70
180	463	699	277	125	5,60
200	463	699	277	125	5,60
224 *	595	595	370	165	10,2
250 *	595	595	370	165	12,2
300 *	717	717	425	165	18,1
315 *	745	745	432	165	19,0
350 *	815	815	470	165	22,5
400 *	915	915	517	165	26,1

* Has thoroughgoingly blade

Ordering example



Sliding damper – manual

SKMTR

Accessories and spare parts

Art.

SPDA-01	Solenoid valve, complete
SPDA-021	Coil for solenoid valve 24 V DC
SPDA-022	Coil for solenoid valve 24 V AC
SPDA-06	Micro switch
SPDA-07	Support for micro switch
SPDA-08	Sensor cylinder
SPDA-09	Support for sensor