

Access door

LKCR



Description

The access door is also used as an inspection hatch for rectangular ducts. To the access door belongs a fixing frame, which is attached to the rectangular duct. This is normally done with blind rivets through the folded-down edge of the door frame. It can also be provided with folding tabs on request.

It is easy to remove the access door from the fixing frame by using over-centre catches. In the insulated versions, the inner side will always be in level with the innermost boundary line of the duct, irrespective of whether the duct is insulated internally or externally. The table below shows the insulation thickness of the door at different duct insulation alternatives.

Can achieve maximum tightness class C.

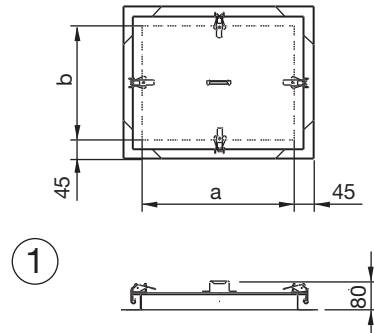
The door should not be placed closer than 50 mm from the nearest side of the rectangular duct.

Maximum square measurement of the access door is 1170x1170 mm.

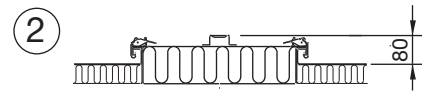
Ordering example

	LKCR	500	300	2	50/100
Product					
Largest side		a			
Smallest side		b			
Non-insulated duct		Type 1			
Internally insulated duct		Type 2			
Externally insulated duct		Type 3			
Duct/cover insulation		30/80 mm (Type 2)			
Duct/cover insulation		50/100 mm (Type 2)			
Duct/cover insulation		70/120 mm (Type 2)			
Duct/cover insulation		100/150 mm (Type 2)			
Duct/cover insulation		120/170 mm (Type 2)			
Duct/cover insulation		40/60 mm (Type 3)			
Duct/cover insulation		50/80 mm (Type 3)			
Duct/cover insulation		70/100 mm (Type 3)			
Duct/cover insulation		140/160 mm (Type 3)			

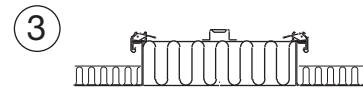
Dimensions



Non-insulated duct



Internally insulated duct



Externally insulated duct