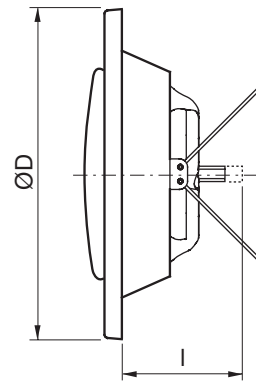


# Exhaust valve

# KVG



## Dimensions



Ød nom	ØD mm	m kg
100	132	0,18
125	162	0,25
160	192	0,37
200	243	0,59

## Description

Valve for exhaust air.  
 Designed for wall or ceiling mounting.  
 Ø 100–160 have spring holders which connect to socket VRFU, VRFM or VRR.  
 Ø 200 has bayonet holders which connect to socket VRGU, VRGL or VRGM.

## Materials and finish

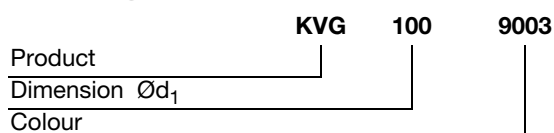
### Material

Coated galvanized sheet metal.

### Colour

White RAL 9003, gloss 30 or white RAL 9010 gloss 30.

## Ordering example



- 1
- 2
- 3
- 4
- 5
- 6
- 7
- 8
- 9
- 10
- 11
- 12
- 13
- 14
- 15
- 16
- 17
- 18

# Exhaust valve

KVG

## Technical data

Air flow,  $q$  [l/s] and [m<sup>3</sup>/h], total pressure drop,  $\Delta p_t$  [Pa], and A-weighted sound power level,  $L_{WA}$  [dB], for different settings,  $a$  [mm], are shown in the graphs.

### Sound power level, $L_{Wok}$ [dB], in octave bands

is calculated as  $L_{WA} + K_{ok}$ .  $K_{ok}$  is found in the table below.

Ød nom	Valve mounted in	Centre frequency [Hz]							
		63	125	250	500	1K	2K	4K	8K
100	Duct	4	-4	-6	-7	-6	-4	-13	-18
	Bend 90°	-1	-1	-3	-3	-5	-7	-16	-27
	T-piece	7	0	-2	-7	-6	-5	-11	-21
125	Duct	6	-1	-3	-6	-7	-4	-16	-27
	T-piece	7	0	-2	-7	-6	-5	-13	-24
160	Duct	5	-5	-4	-6	-3	-7	-18	-30
	T-piece	5	1	-5	-8	-6	-4	-18	-29
200	Duct	3	-2	-5	-6	-2	-9	-16	-26

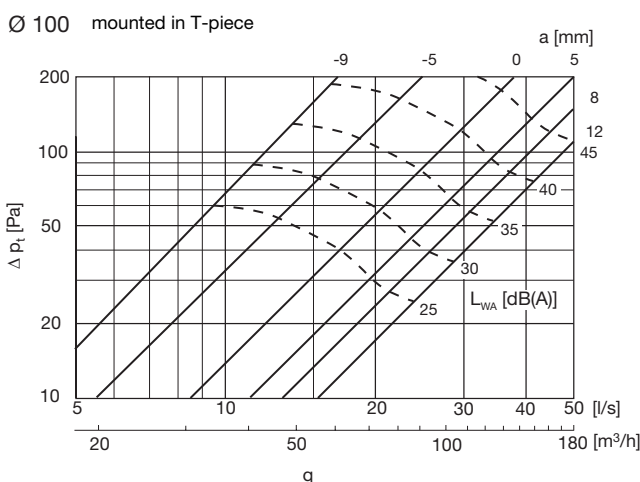
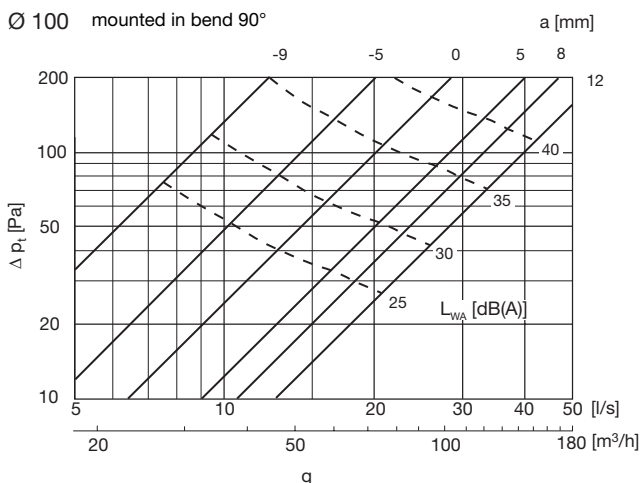
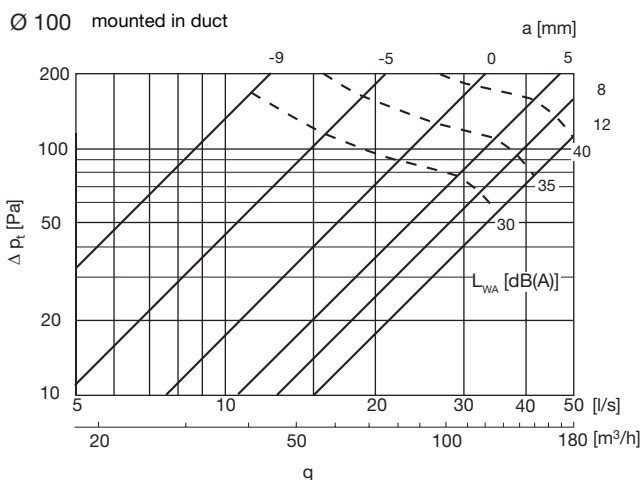
Tolerance	±6	±3	±2	±2	±2	±2	±2	±3
-----------	----	----	----	----	----	----	----	----

### Sound attenuation, $\Delta L$ , [dB]

Ød nom	Valve mounted in	Setting a [mm]	Centre frequency [Hz]							
			63	125	250	500	1K	2K	4K	8K
100	Duct	-12	23	19	14	14	12	11	13	16
		0	22	16	9	8	6	6	6	10
		8	22	16	9	7	5	5	4	8
	Bend 90°	-12	25	20	15	13	12	12	12	15
0		24	17	11	7	6	7	6	11	
8		24	17	11	6	5	5	5	11	
100	T-piece	-12	23	19	14	14	12	11	13	16
		0	22	16	9	8	6	6	6	10
		8	22	16	9	7	5	5	4	8
	125	Duct	-17	21	15	12	10	8	8	11
-6			20	14	10	7	5	5	6	7
160	Duct	5	19	14	9	6	4	4	4	8
		-18	19	14	10	8	7	9	13	13
		5	18	13	8	6	5	5	10	8
200	Duct	6	18	12	7	5	4	4	10	6
		-20	17	14	9	8	8	10	11	12
		0	17	12	7	5	5	6	8	8
200	Duct	20	15	12	6	5	3	4	8	7

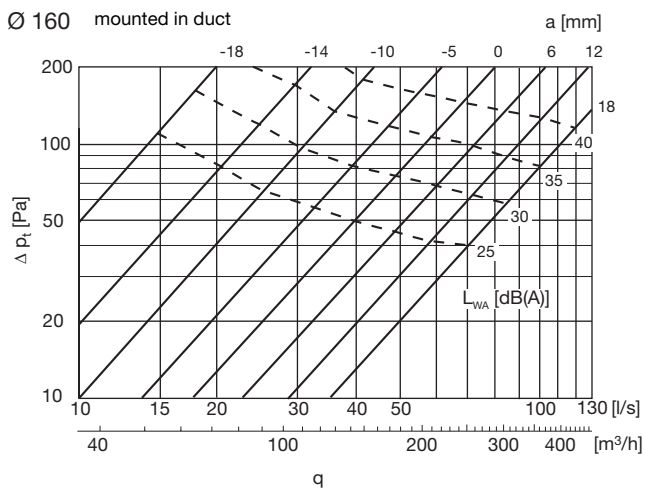
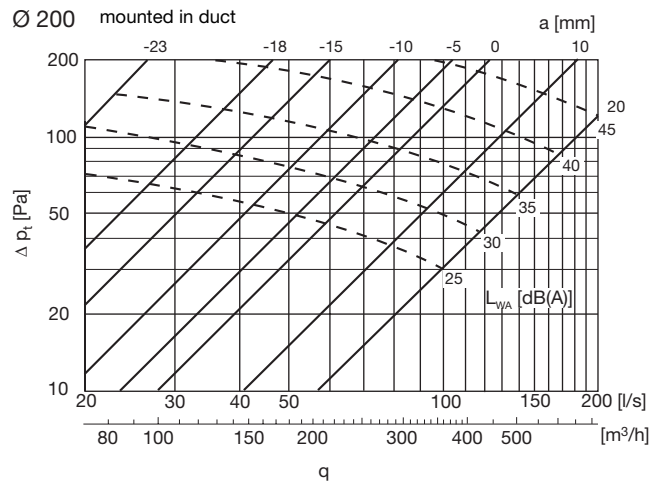
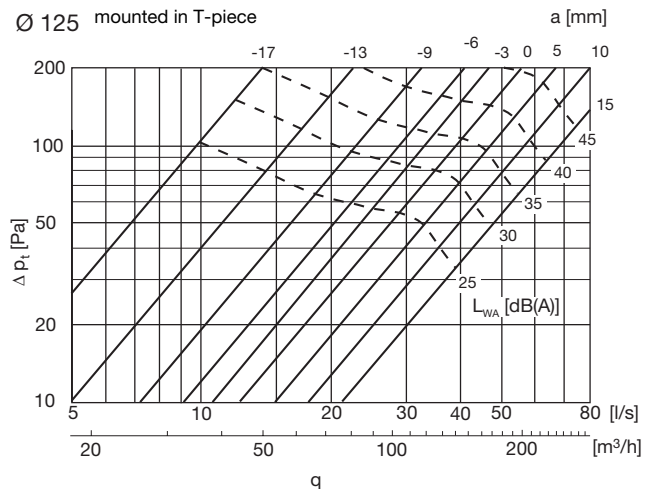
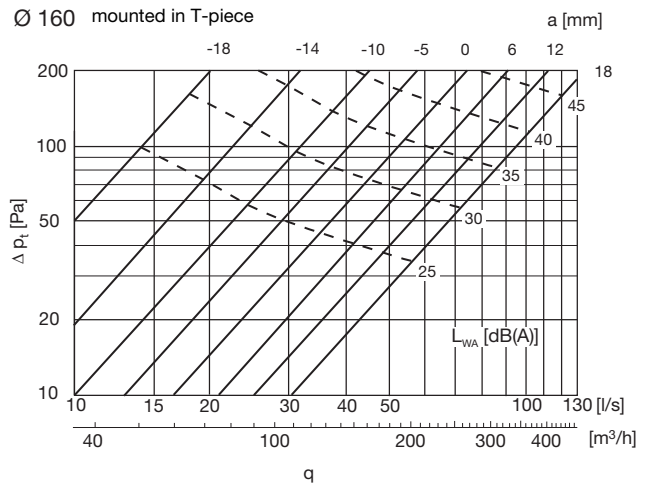
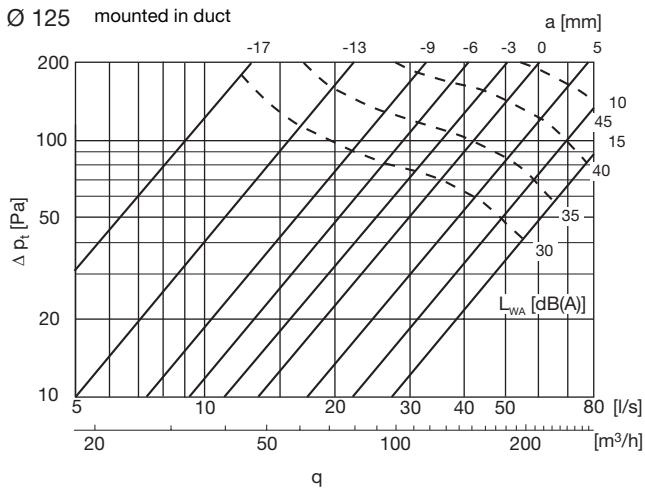
### Measurement of air flow

Data is available in a separate brochure.



# Exhaust valve

# KVG



- 1
- 2
- 3
- 4
- 5
- 6
- 7
- 8
- 9
- 10
- 11
- 12
- 13
- 14
- 15
- 16
- 17
- 18