

Valve

KPT



Description

Valve for supply air.
Designed for ceiling mounting.
Flat spring holders connect to duct.

Materials and finish

Material

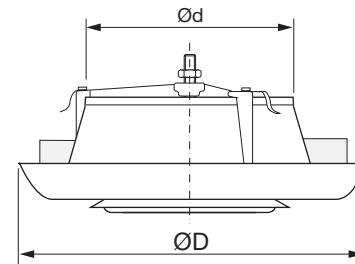
Plastic.

Colour

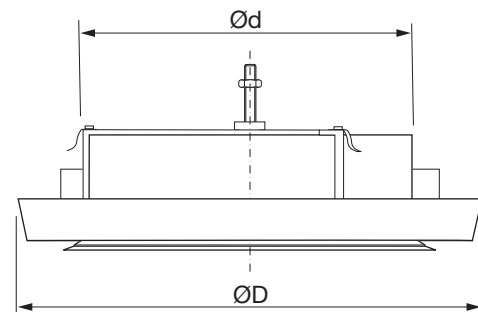
White RAL 9003.

Dimensions

Ø80



Ø100–200



Ød nom	ØD mm	m kg
80	118	0,08
100	148	0,10
125	180	0,16
160	203	0,22
200	246	0,55

Ordering example

Product code **KPT** **125**
Dimension Ød

1

2

3

4

5

6

7

8

9

10

11

12

13

14

15

16

17

18

Valve

KPT

Technical data

Air flow, q [l/s] and [m³/h], total pressure drop, Δp_t [Pa], and A-weighted sound power level, L_{WA} [dB], for different settings, n [number of opening turns], are shown in the graphs.

Sound power level, L_{WA} [dB], A-weighted is shown in the graphs.

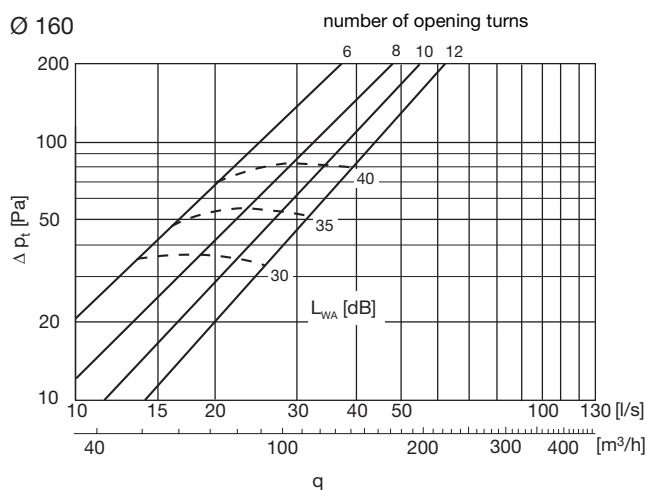
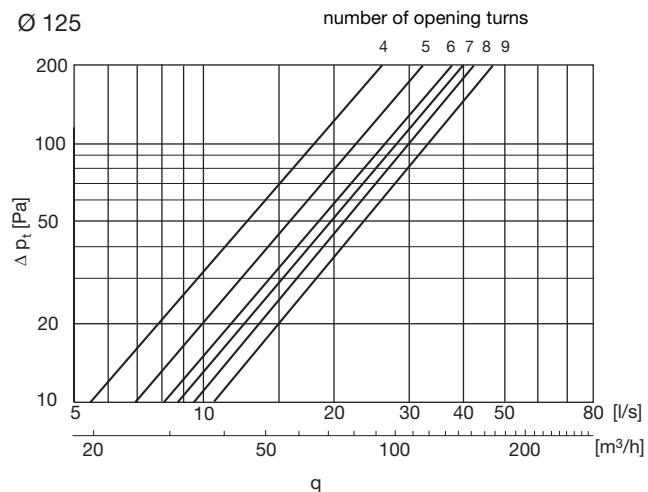
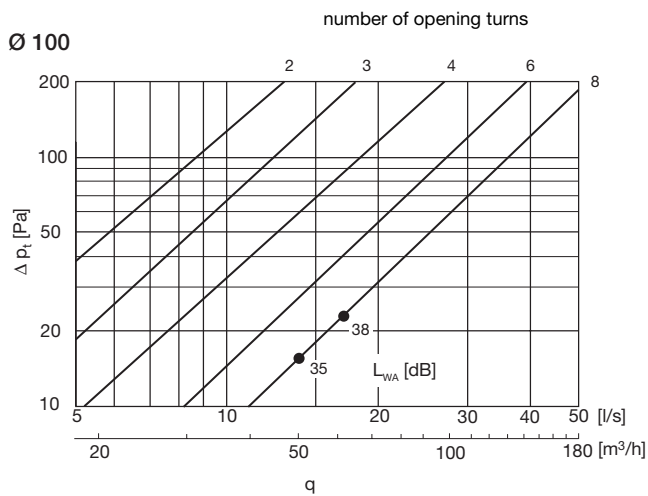
Sound attenuation, ΔL_A , [dB]

$\varnothing d$ nom	Valve mounted in	Setting n [number of opening turns]	Attenuation ΔL_A [dB]
100	Duct	0	8,5
		2	8,5
		3	8,5
		4	8
		6	8
		8	8
125	Duct	10	8
		0	14
		4	8
		5	8
		6	7,5
160	Duct	7	7
		8	6,5
		9	6
		0	14,5
200	Duct	6	6,5
		8	6
		10	6
		12	6
200	Duct	0	15,5
		7	6,5
		9	6
		11	5,5
		13	5,5
		15	5,5

Tolerance	± 1
-----------	---------

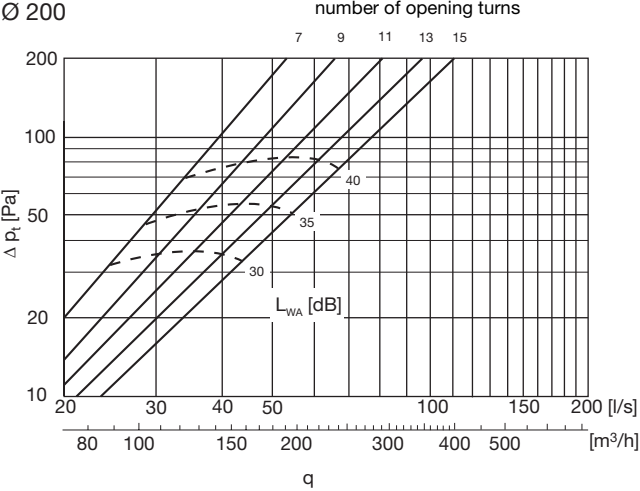
Measurement of air flow

Data is available in a separate brochure.



Valve

KPT



- 1
- 2
- 3
- 4
- 5
- 6
- 7
- 8
- 9
- 10
- 11
- 12
- 13
- 14
- 15**
- 16
- 17
- 18