

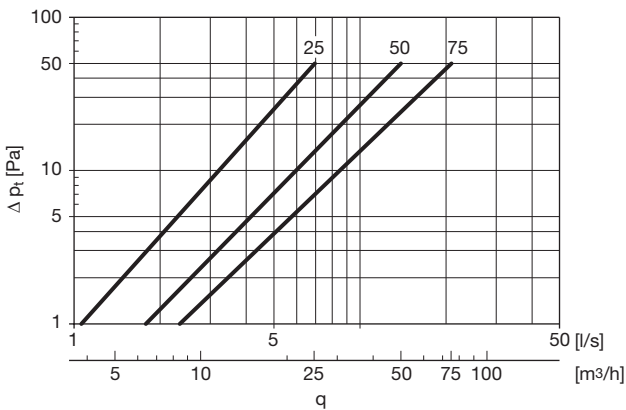
# Air entry nozzle

# IMSKU

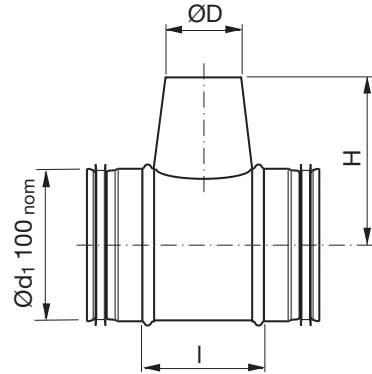


## Description

Used for ducting in bomb shelters, and is dimensioned for the air volumes specified by the Civil Defence Board regulations.



## Dimensions



Size nom	ØD mm	l mm	H mm	m kg
25	35	85	95	0,31
50	50	110	110	0,38
75	60	110	110	0,39

Size nom	q <sub>max</sub> m³/h	Maximum no. of persons
25	25	10
50	50	20
75	75	30

## Ordering example

Product	IMSKU	75
Type		
Size		

- 1
- 2
- 3
- 4
- 5
- 6
- 7
- 8
- 9
- 10
- 11
- 12
- 13
- 14
- 15
- 16
- 17
- 18