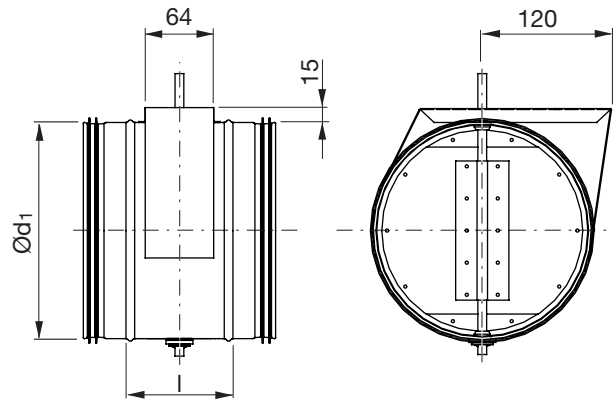


Shut-off damper with motor shelf

DTH2U



Dimensions



Description

Shut-off damper with motor shelf HYLLA DTH2U. Consists of a DTU damper with motor shelf HYLLA DTHU2U added.

The damper has neither any cup nor any knob, and has a longer spindle to avoid the need for extension spindle VREDF. The damper is designed to have a motor added on site.

Has a low height to fit at narrow spaces.

There is a separate assembly, measuring, balancing and maintenance instruction for this product.

Fulfills pressure class C in closed position.

Motorizing

The motor shelf is suitable for Belimo's CM...F and LM...F motors.

The torque needed for motorizing is given in the adjacent table.

Ød ₁ nom	l [mm]	M Nm	m [kg]	Sealing class past closed blade
80	100	2,0	0,31	4
100	100	2,0	0,39	4
125	100	2,0	0,54	4
150	100	2,0	0,64	4
160	100	2,0	0,75	4
200	100	2,0	1,05	4
250	100	3,0	1,53	4
315	100	4,0	2,15	4

Ordering example

Product	DTH2U	125
Dimension Ød ₁		

