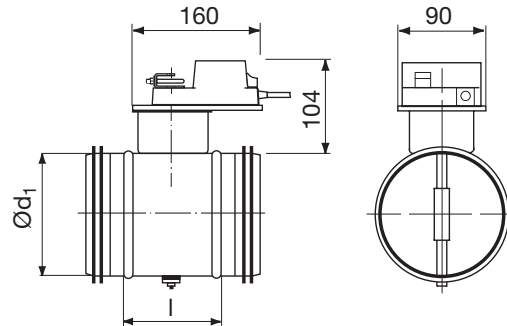


Shut-off damper, fastrunning motor

DTFU



Dimensions



Description

Shut-off damper with electric motor LMQ 24A or LMQ 24A-SR.

Consists of a DTU damper with a 24 V electric motor added.

- 1) Motor LMQ 24A is a fast-running reversing on/off-motor, suitable for extraction at working places where a fast operation is wanted.
- 2) Motor LMQ 24A-SR is a fast-running modulating motor, suitable for laboratory extraction where a fast change of the air flow is wanted.

The motors stops at its end position and is not damaged by blockage, although system voltage remains.

In outdoor installations, the motor must be protected from rain and direct UV radiation.

The motor is installed at a distance from the damper, which makes it easy to insulate the ventilation duct.

There is a separate assembly, measuring, balancing and maintenance instruction for this product.

Ø 80–250 fullfills pressure class C in closed position.

The torque needed for motorizing is given in the adjacent table.

Ød ₁ nom	l mm	M Nm	m kg	Sealing class past closed blade
80	100	2,0	1,30	4
100	100	2,0	1,40	4
125	100	2,0	1,50	4
160	100	2,0	1,80	4
200	100	2,0	2,10	4
250	100	3,0	2,50	4

Ordering example

	DTFU	125	24	LMQ 24A
Product				
Dimension Ød ₁				
Voltage				
Motor type				



Shut-off damper, fastrunning motor

DTFU

Technical data for the motor

1

2

3

4

5

6

7

8

9

10

11

12

13

14

15

16

17

18

	LMQ 24A	LMQ-SR 24A
Spänningsområde	AC 19,2-28,8 V, 50/60 Hz DC 21,6-28,8 V	AC 19,2-28,8 V, 50/60 Hz DC 21,6-28,8 V
Effektförbrukning	13 W	12 W
Dimensionering	23 VA	23 VA
Anslutning	Kabel 1 m, 3x0,75 mm ²	Kabel 1 m, 4x0,75 mm ²
Vridningsvinkel	Max. 95°, inställbar 0-100 %	Max. 95°, inställbar 0-100 %
Vridmoment vid märkspänning	Min. 4 Nm	Min. 4 Nm
Vridriktning	Valbar med omkopplare 0 ↺ eller 1 ↻	Valbar med omkopplare 0 ↺ eller 1 ↻
Lägesindikering	Mekanisk	Mekanisk
Gångtid för 90°	2,5 s	2,5 s
Ljudnivå	52 dB (A)	52 dB (A)
Skyddsklass	III Säkerhetsklenspänning	II Säkerhetsklenspänning
Kapslingsklass	IP 54	IP 54
Omgivningstemperatur	-30 to +40°C	-30 to +40°C
Omgivningsfukt	95 % RH	95 % RH

