

Shut-off damper with motor

DTBLU



Description

Shut-off damper with electric motor LM 24 A-F, LM 230 A-F, CM 24 F or CM 230 F.

Consists of a DTU damper with a 24 or 230 V motor added. Has a low height to fit at narrow spaces.

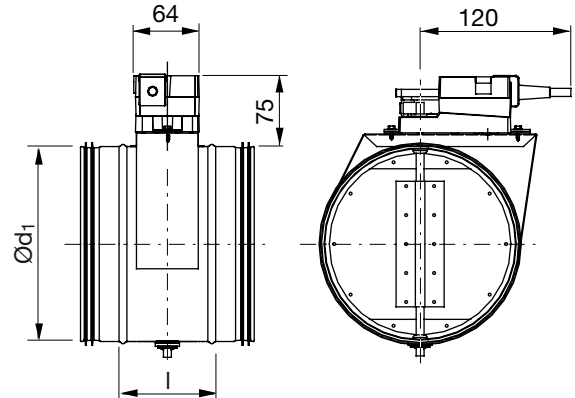
In outdoor installation, the motor should be protected from direct UV radiation.

There is a separate assembly, measuring, balancing and maintenance instruction for this product.

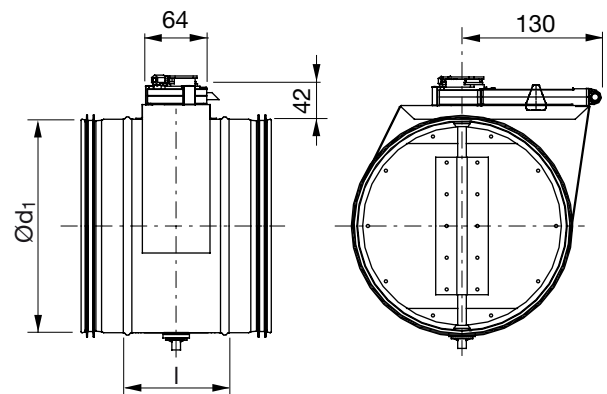
Fulfills pressure class C in closed position.

Dimensions

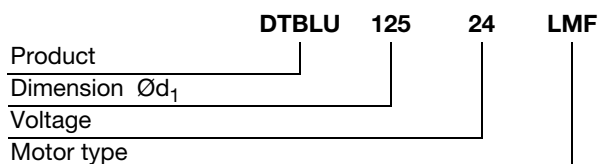
LM-motor



CM-motor



Ordering example



Shut-off damper with motor

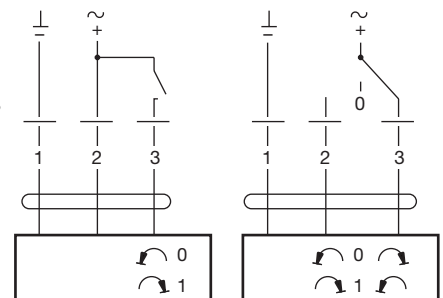
DTBLU

Dimensions

Ød ₁ nom	l [mm]	m [kg]	Motor type	Sealing class past closed blade	Pressure class in closed position
80	100	0,50		4	
80	100	0,50	CM	4	C
80	100	0,79	LM	4	C
80	100	0,79	LM	4	C
100	100	0,58		4	
100	100	0,58	CM	4	C
100	100	0,87	LM	4	C
100	100	0,87	LM	4	C
125	100	0,73		4	
125	100	0,73	CM	4	C
125	100	1,02	LM	4	C
125	100	1,02	LM	4	C
150	100	0,83		4	
150	100	0,83	CM	4	C
150	100	1,12	LM	4	C
150	100	1,12	LM	4	C
160	100	0,94		4	
160	100	0,94	CM	4	C
160	100	1,23	LM	4	C
160	100	1,23	LM	4	C
200	100	1,53	LM	4	C
200	100	1,53	LM	4	C
250	100	2,01	LM	4	C
250	100	2,01	LM	4	C
315	100	2,63	LM	4	C
315	100	2,63	LM	4	C

Technical data for the motors

	LM 24 A-F	LM 230 A-F
Power supply	AC 19,2–28,8 V, 50/60 Hz DC 19,2–28,8 V	AC 65–265 V, 50/60 Hz
Power consumption	1 W	1,5 W
For wire sizing	2 VA	4 VA
Connection	Cable 1 m, 3x0,75 mm ²	Cable 1 m, 3x0,75 mm ²
Operating angle	Max. 95°, adjustable 0–100%	Max. 95°, adjustable 0–100%
Torque at rated voltage	Min. 5 Nm	Min. 5 Nm
Direction of rotation	Switch selectable 0 ↺ or 1 ↻	Switch selectable 0 ↺ or 1 ↻
Position indication	Mechanical	Mechanical
Running time for 95°	150 s	150 s
Sound power level	Max. 35 dB (A)	Max. 35 dB (A)
Protection class	III Safety extra-low voltage	II Safety insulated
Protection type	IP 54	IP 54
Ambient temperature range	-30 to +50°C	-30 to +50°C
Ambient moisture	95 % RH	95 % RH



Shut-off damper with motor

DTBLU

	CM 24 F	CM 230 F
Power supply	AC 19,2–28,8 V, 50/60 Hz DC 19,2–28,8 V	AC 65–265 V, 50/60 Hz
Power consumption	0,5 W	1,5 W
For wire sizing	1 VA	3 VA
Connection	Cable 1 m, 3x0,75 mm ²	Cable 1 m, 3x0,75 mm ²
Operating angle	Continuously rotating	Max. 95°, adjustable 0–100%
Torque at rated voltage	Min. 2 Nm	Min. 2 Nm
Direction of rotation	-L or -R	-L or -R
Position indication	Mechanical, removable	Mechanical, removable
Running time for 90°	75 s	75 s
Sound power level	Max. 35 dB (A)	Max. 35 dB (A)
Protection class	III Safety extra-low voltage	II Safety insulated
Protection type	IP 54	IP 54
Ambient temperature range	-30 to +50°C	-30 to +50°C
Ambient moisture	95 % RF	95 % RF

