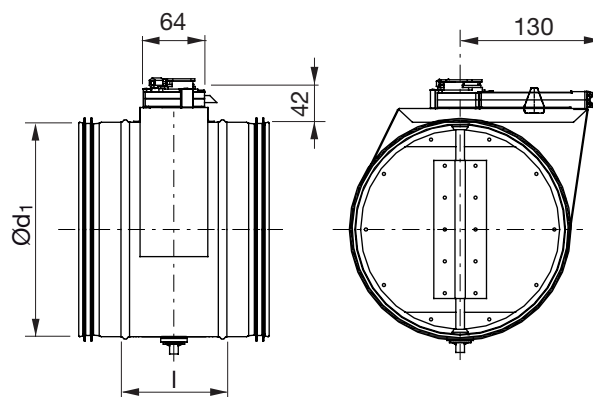


# Shut-off damper with motor

# DTBLU



## Dimensions



## Description

Shut-off damper with electric motor CM 24 F or CM 230 F. Consists of a DTU damper with a 24 or 230 V motor added. Has a low height to fit at narrow spaces.

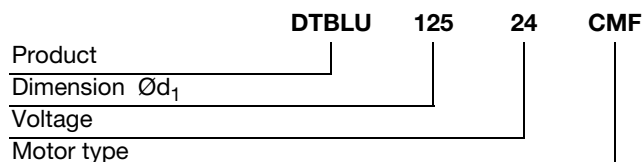
In outdoor installation, the motor should be protected from direct UV radiation.

There is a separate assembly, measuring, balancing and maintenance instruction for this product.

Fulfills pressure class C in closed position.

Ød <sub>1</sub> nom	l mm	m kg	Sealing class past closed blade
80	100	0,50	4
100	100	0,58	4
125	100	0,73	4
150	100	0,83	4
160	100	0,94	4

## Ordering example



## Technical data for the motors

	<b>CM 24 F</b>	<b>CM 230 F</b>
Power supply .....	AC 19,2–28,8 V, 50/60 Hz DC 19,2–28,8 V	AC 65–265 V, 50/60 Hz
Power consumption .....	0,5 W	1,5 W
For wire sizing .....	1 VA	3 VA
Connection .....	Cable 1 m, 3x0,75 mm <sup>2</sup>	Cable 1 m, 3x0,75 mm <sup>2</sup>
Operating angle .....	Continuously rotating	Max. 95°, adjustable 0–100%
Torque at rated voltage .....	Min. 2 Nm	Min. 2 Nm
Direction of rotation .....	-L or -R	-L or -R
Position indication .....	Mechanical, removable	Mechanical, removable
Running time for 90° .....	75 s	75 s
Sound power level .....	Max. 35 dB (A)	Max. 35 dB (A)
Protection class .....	III Safety extra-low voltage	II Safety insulated
Protection type .....	IP 54	IP 54
Ambient temperature range .....	-30 to +50°C	-30 to +50°C
Ambient moisture .....	95 % RF	95 % RF

