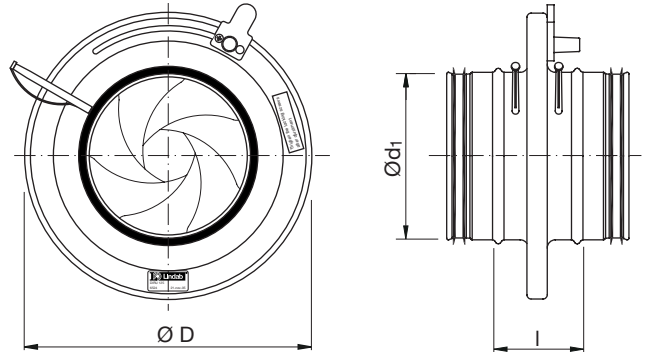


Damper with flow meter

DIRU



Dimensions



Description

The damper DIRU with flow meter offers measurement of the air flow. DIRU has the following characteristics: low noise level, centric flow, fixed measurement nozzles for accurate flow measurement and is equipped with regulating facilities that can be fully opened, which means that you do not need cleaning covers. It fulfils tightness class C. The dimension graph is to be used to determine the pressure drop over the damper with flow meter and to give information regarding the sound effect level at different settings. When balancing the system the balancing graph should be used.

There is a separate assembly, measuring, balancing and maintenance instruction for dampers with flow meter. The damper blades forms a measuring flange which allows flow measuring. By measuring the pressure difference between the measure nozzles, you can through the equation on the damper derive the flow q [l/s]. The setting value of the damper and the correction factor (k-factor) is the same number which means that you do not have to read a graph in order to get the k-factor from a setting value. The air flow is regulated with a handle. Ø 80–630 fullfills pressure class A in closed position.

Material

The damper is made of hot-dip galvanized sheet steel.

Installation

Consider required straight distance after or before disturbance, as mentioned on the card attached to the measurement nozzles, to obtain accurate flow measurement.

Cleaning

By fully open the damper, one get access to the duct. Do not forget to readjust the damper after cleaning.

| Ød ₁ nom | ØD [mm] | l [mm] | m [kg] |
|------------------------|------------|-----------|-----------|
| 80 | 135 | 52 | 0,60 |
| 100 | 163 | 54 | 0,80 |
| 125 | 210 | 63 | 1,20 |
| 150 | 230 | 53 | 1,40 |
| 160 | 230 | 60 | 1,40 |
| 200 | 285 | 62 | 2,00 |
| 250 | 333 | 62 | 2,60 |
| 300 | 406 | 65 | 3,00 |
| 315 | 406 | 63 | 3,40 |
| 400 | 560 | 70 | 6,90 |
| 500 | 644 | 60 | 7,90 |
| 630 | 811 | 60 | 11,9 |

Ordering example

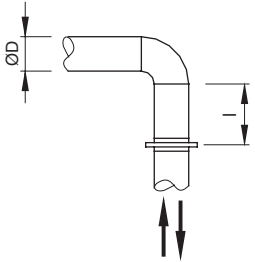
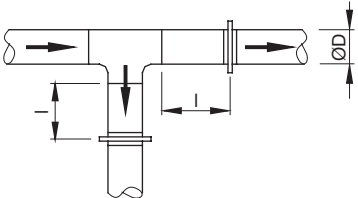
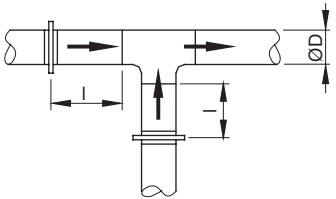
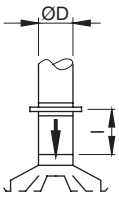
Product **DIRU** **160**
 Dimension Ød₁



Damper with flow meter

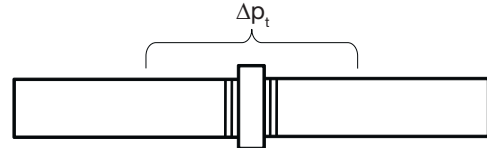
DIRU

Technical data for DIRU, DIRBU and DIRVU

| l = straight distance before and after disturbances | Method error ± 7% |
|---|----------------------|
|  | $l \geq 1 D$ |
|  | $l \geq 1 D$ |
|  | $l \geq 3 D$ |
|  | $l \geq 3 D$ |

Dimensioning

The dimensioning graphs show the pressure drop over the damper with flow meter, Δp_t . They should be used to determine the pressure drop and to provide information about sound effect levels at different settings.



Balancing

The balancing graphs show the flow as a function of the measured pressure, Δp_m . These graphs should be used to balance the system.

