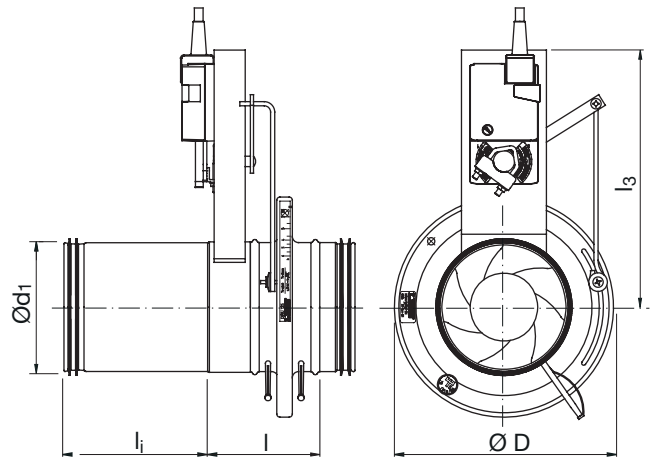


Damper with flow meter

DIRBU



Dimensions



Ød ₁ nom	ØD nom	l [mm]	l _i [mm]	l ₃ [mm]	m [kg]
100	163	94	130	235	1,65
125	210	103	130	249	2,05
150	230	100	130	262	2,25
160	230	100	130	268	2,25
200	285	102	130	289	3,15
250	333	123	185	315	4,05
300	406	123	185	341	4,65
315	406	123	185	350	5,05

Description

The motor-driven damper DIRBU with flow meter is suitable for systems where it should be possible to increase the air flow or lower it to the basic level. Examples of such systems are conference rooms and public areas.

It fulfills tightness class C. DIRBU is intended for use where you want to be able to set two air flows.

Maximum and minimum flow is set with the measurement nozzles and are fixed with the two end stop screws on the motor.

There is a separate assembly, measuring, balancing and maintenance instruction for this product.

Ø 100–315 fulfills pressure class A in closed position.

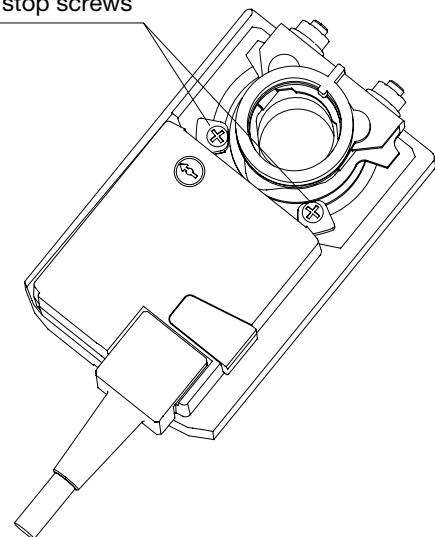
Cleaning

By fully open the damper, one get access to the duct. Do not forget to readjust the damper after cleaning.

Installation

Consider required straight distance after or before disturbance, as mentioned on page 2 and on the card attached to the measurement nozzles, to obtain accurate flow measurement.

End stop screws



Ordering example

	DIRBU	160	24	LM
Product				
Dimension Ød ₁				
Voltage				
Motor type				



Damper with flow meter

DIRBU

Technical data for the motors

	LM 24 A	LM 230 A
Power supply.....	AC 19,2–28,8 V, 50/60 Hz DC 19,2–28,8 V	AC 85–265 V, 50/60 Hz
Power consumption	1 W	1,5 W
For wire sizing	2 VA	4 VA
Connection	Cable 1 m, 3×0,75 mm ²	Cable 1 m, 3×0,75 mm ²
Operating angle.....	Max. 95°, adjustable 0–100%	Max. 95°, adjustable 0–100%
Torque at rated voltage	Min. 5 Nm	Min. 5 Nm
Direction of rotation.....	Switch selectable 0 ↺ or 1 ↻	Switch selectable 0 ↺ or 1 ↻
Position indication	Mechanical	Mechanical
Running time for 95°	150 s	150 s
Sound power level.....	Max. 35 dB (A)	Max. 35 dB (A)
Protection class.....	III Safety extra-low voltage	II Safety insulated
Protection type.....	IP 54	IP 54
Ambient temperature range	-30 to +50°C	-30 to +50°C
Ambient moisture	95 % RF	95 % RF

