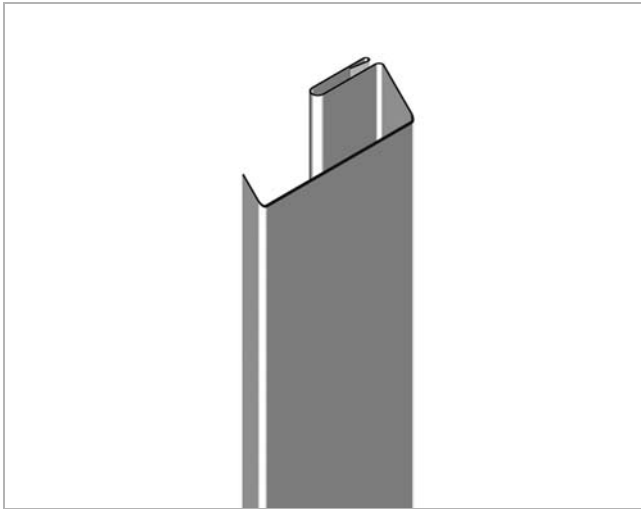


# Mitred steel rail

# CSR3



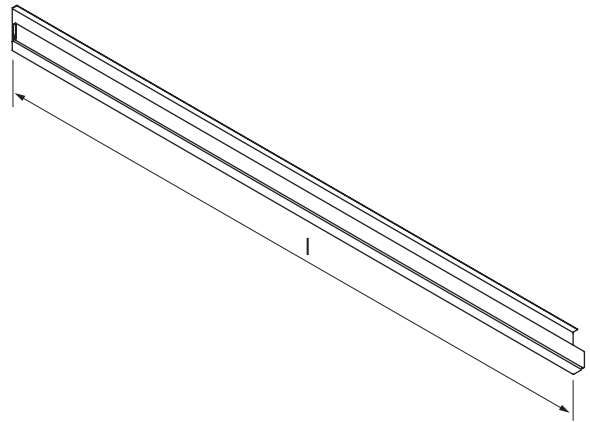
### Description

Steel rail which is mitred and is held in place to the right in the wall in an outer corner by consoles, CC. Has a fold in which panels, CP, can be attached. Is used together with CRS4.

### Materials and finish

Colour  
White RAL 9002, gloss 30

### Dimensions



l mm	m kg
1500	0,17

### Ordering example

Product	CSR3	1500
Length l		

- 1
- 2
- 3
- 4
- 5
- 6
- 7**
- 8
- 9
- 10
- 11
- 12
- 13
- 14
- 15
- 16
- 17
- 18