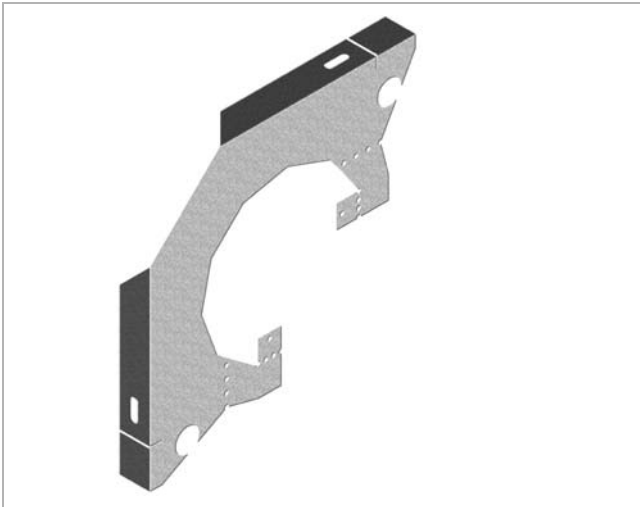


# Console

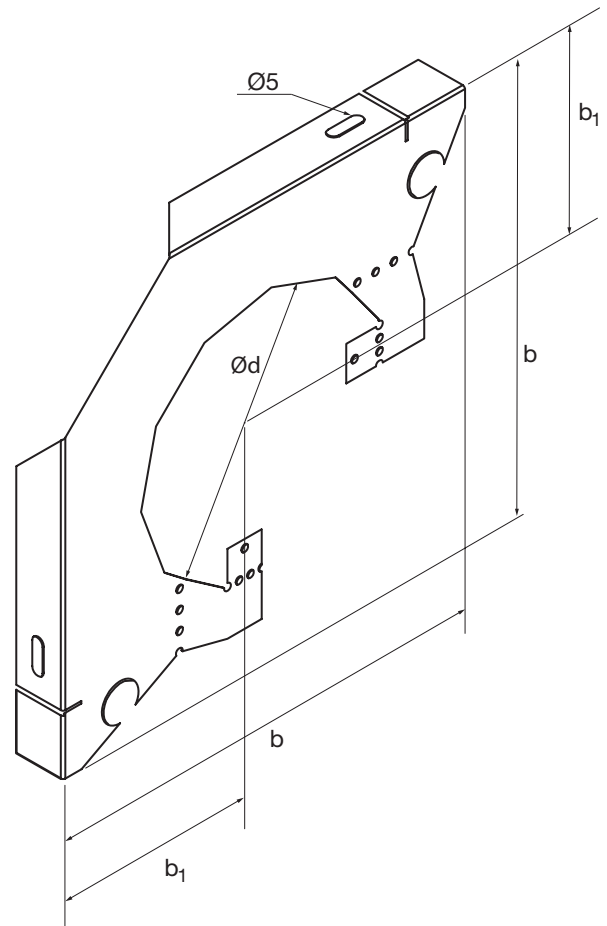
CC



## Description

Console which supports steel rails, CSR, and suspends the duct system.

## Dimensions



| Panel dim nom | Ød nom | b <sub>1</sub> [mm] | b [mm] | m [kg] |
|---------------|--------|---------------------|--------|--------|
| 100           | 100    | 85                  | 177    | 0,08   |
| 125           | 100    | 105                 | 204    | 0,10   |
| 125           | 125    | 98                  | 204    | 0,10   |
| 160           | 100    | 140                 | 243    | 0,20   |
| 160           | 125    | 136                 | 243    | 0,20   |
| 160           | 160    | 117                 | 243    | 0,20   |

## Ordering example

