

# Circular curved silencer

# BSLCU 50



## Description

Lack of space is a frequent problem in air treatment installations. This means that it is often difficult to find enough straight lengths to install a straight silencer.

This problem can be eliminated by installing a curved silencer.

For the same length, it mostly has better attenuation than the equivalent straight silencer. In particular, you get better attenuation at high frequencies (4 and 8 kHz).

Fire classes without protective distance: EI 30, E 120

Fire classes with protective distance to:  
(According to Swedish regulations)

evacuation person:  
2,5 kW/m<sup>2</sup> EI 120 at distance 50 mm

combustible materials:  
10 kW/m<sup>2</sup> EI 120 at distance 50 mm  
Insulation thickness 50 mm.

Fulfils tightness class D.  
Tested according to ISO 7235.

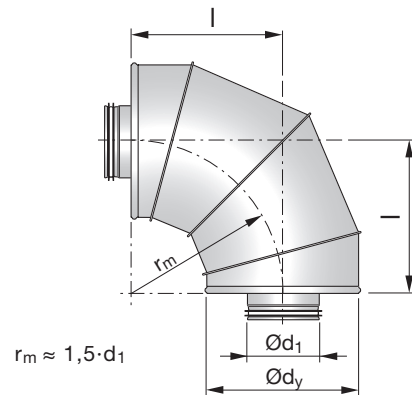
To select the appropriate silencer and optimize connection size and length for the best performance you can use our online tool lindQST or our free to download software DIMsilencer.

## Order code

<b>Product</b>	<b>BSLCU</b>	<b>aaa</b>	<b>50</b>
BSLCU			
<b>Connection dim. Ød<sub>1</sub></b>			
Ød <sub>1</sub> = 125 - 315 mm			
<b>Insulation thickness</b>			
50 mm			

Example: BSLCU - 200 - 50

## Dimensions and sound data



Ød <sub>1</sub> nom	l [mm]	Insertion loss [dB] for centre frequency [Hz]								Ød <sub>y</sub> [mm]	m [kg]
		63	125	250	500	1k	2k	4k	8k		
125	260	3	2	6	14	22	33	26	22	235	3,3
160	285	1	2	6	14	23	29	25	21	270	4,2
200	355	0	2	5	15	29	24	24	20	310	6,3
250	370	1	2	6	17	31	22	27	20	365	9,7
315	370	1	2	7	19	20	17	20	16	427	13,6

## Technical data

