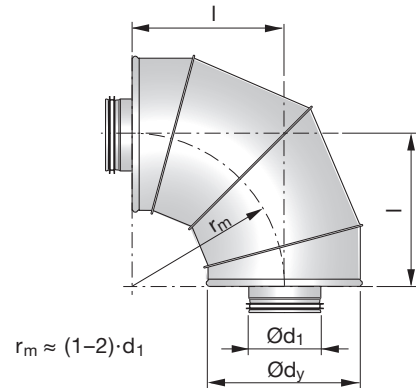


Circular curved silencer

BSLCU 100



Dimensions and sound data



Description

Lack of space is a frequent problem in air treatment installations. This means that it is often difficult to find enough straight lengths to install a straight silencer.

This problem can be eliminated by installing a curved silencer.

For the same length, it mostly has better attenuation than the equivalent straight silencer. In particular, you get better attenuation at high frequencies (4 and 8 kHz).

Fire classes without protective distance: EI 60, E 120

Fire classes with protective distance to:
(According to Swedish regulations)

evacuation person:
2,5 kW/m² EI 120 at distance 50 mm

combustible materials:
10 kW/m² EI 120 at distance 50 mm
Insulation thickness 100 mm.

Fulfils tightness class D.
Tested according to ISO 7235.
To select the appropriate silencer and optimize connection size and length for the best performance you can use our online tool lindQST or our free to download software DIMsilencer.

Order code

Product	BSLCU	aaa	100
BSLCU			
Connection dim. Ød₁			
Ød ₁ = 125 - 630 mm			
Insulation thickness			
100 mm			

Example: BSLCU - 200 - 100

Ød ₁ nom	l [mm]	Insertion loss [dB] for centre frequency [Hz]								Ødy [mm]	m [kg]
		63	125	250	500	1k	2k	4k	8k		
125	260	7	6	17	22	28	38	33	26	325	6,9
160	280	4	6	13	17	25	33	26	25	365	8,0
200	325	2	5	14	19	29	24	25	22	410	10,6
250	370	3	5	11	15	28	22	26	21	465	14,4
315	375	2	4	10	15	20	17	22	17	510	17,6
400 *	420	2	4	8	13	13	13	14	13	615	26,9
500 *	510	1	4	9	13	10	13	13	12	735	38,5
630 *	610	2	6	13	12	11	12	13	12	880	57,7

* Supplied with two loose couplings.

Technical data

