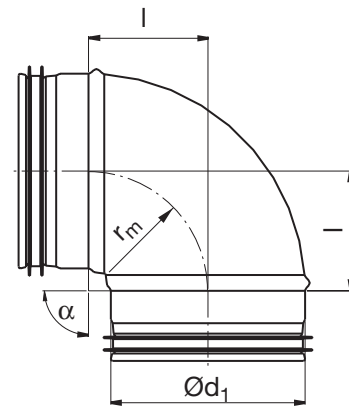


Bend – short

BKU 90°



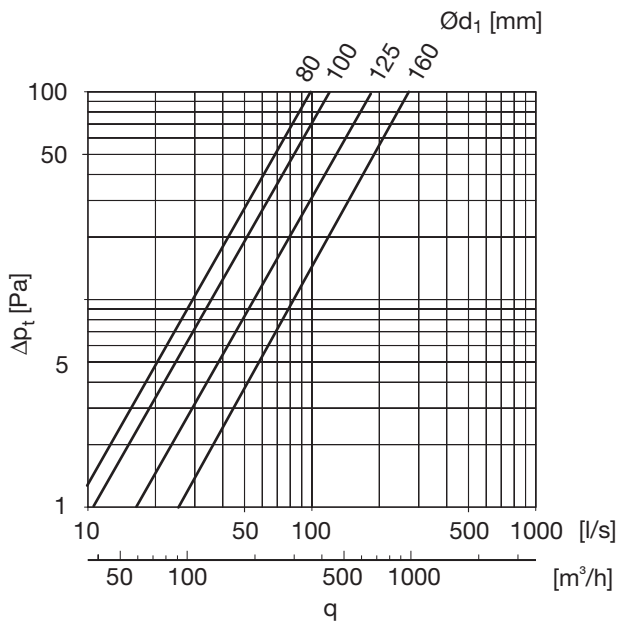
Dimensions



$r_m \approx 0,6 \cdot d_1$

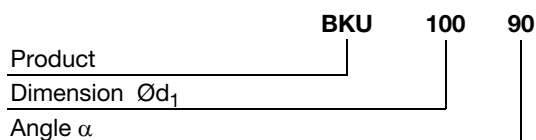
Description

Pressed and seam welded bend with short installation length.



Ød ₁ nom	l mm	m kg
80	80	0,14
100	62	0,22
125	79	0,31
160	94	0,50

Ordering example



- 1
- 2
- 3
- 4
- 5
- 6
- 7
- 8
- 9
- 10
- 11
- 12
- 13
- 14
- 15
- 16
- 17
- 18