

Transition piece

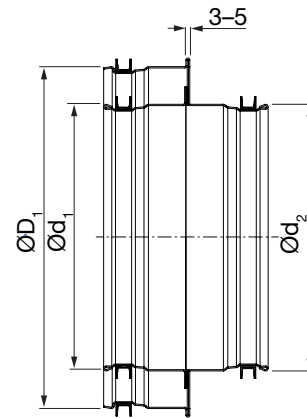
INALMM



Description

The transition piece is double-jacketed and insulated at the large end and supplied with Lindab Safe rubber seal in the inner dimension. It's used when going from insulated to non insulated ductwork.

Dimensions



Ød ₁ nom	Ød ₂ mm	ØD ₁ nom	m* kg
80	80	112	0,18
100	100	132	0,22
125	125	157	0,28
160	160	192	0,35
180	180	200	0,36
200	200	232	0,46
224	224	260	0,52
250	250	280	0,71
280	280	315	0,91
300	300	355	0,98
315	315	355	1,10

* = weight can vary ±10%.

Order code

