

# T-piece

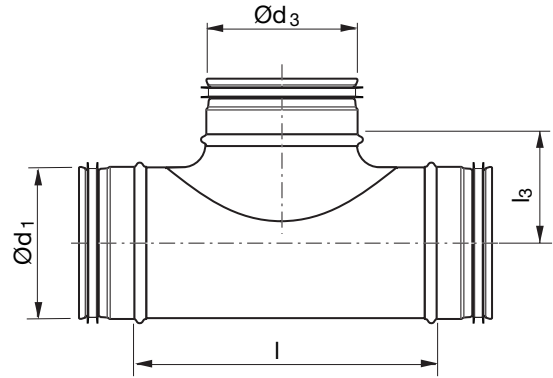
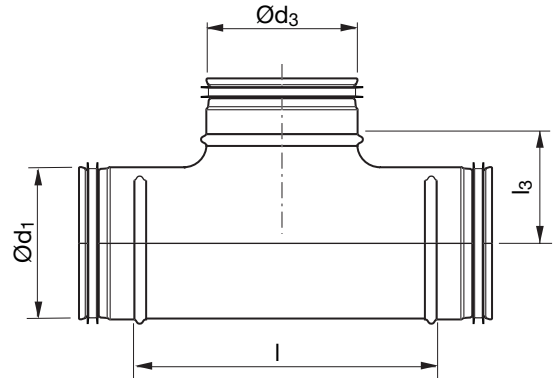
# TCPU



## Description

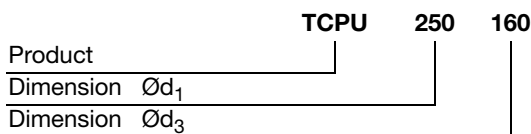
T-piece built with PSU saddle or a fully pressed top section.

## Dimensions



| Ød <sub>1</sub><br>nom | Ød <sub>3</sub><br>nom | l<br>mm | l <sub>3</sub><br>mm | m<br>kg |
|------------------------|------------------------|---------|----------------------|---------|
| 63                     | 63                     | 125     | 42                   | 0,26    |
| 80                     | 63                     | 125     | 50                   | 0,31    |
| 80                     | 80                     | 140     | 52                   | 0,36    |
| 100                    | 63                     | 125     | 60                   | 0,35    |
| 100                    | 80                     | 97      | 60                   | 0,23    |
| 100                    | 100                    | 130     | 65                   | 0,32    |
| 112                    | 63                     | 125     | 66                   | 0,41    |
| 112                    | 80                     | 140     | 68                   | 0,47    |
| 112                    | 100                    | 175     | 71                   | 0,55    |
| 112                    | 112 *                  | 140     | 81                   | 0,57    |
| 125                    | 63                     | 125     | 73                   | 0,44    |
| 125                    | 80                     | 97      | 72                   | 0,34    |
| 125                    | 100                    | 130     | 78                   | 0,37    |
| 125                    | 112                    | 175     | 78                   | 0,61    |
| 125                    | 125                    | 165     | 83                   | 0,44    |
| 140                    | 80                     | 140     | 82                   | 0,56    |
| 140                    | 100                    | 175     | 85                   | 0,65    |
| 140                    | 112                    | 175     | 85                   | 0,67    |
| 140                    | 125 *                  | 215     | 70                   | 0,76    |
| 140                    | 140                    | 230     | 90                   | 0,78    |
| 150                    | 80                     | 140     | 87                   | 0,58    |
| 150                    | 100                    | 175     | 90                   | 0,69    |
| 150                    | 125                    | 215     | 95                   | 0,76    |

## Ordering example



## T-piece

## TCPU

| Ød <sub>1</sub><br>nom | Ød <sub>3</sub><br>nom | l<br>mm | l <sub>3</sub><br>mm | m<br>kg |
|------------------------|------------------------|---------|----------------------|---------|
| 150                    | 140                    | 230     | 95                   | 0,82    |
| 150                    | 150                    | 260     | 95                   | 0,94    |
| 160                    | 80                     | 140     | 92                   | 0,59    |
| 160                    | 100                    | 130     | 95                   | 0,46    |
| 160                    | 125                    | 166     | 100                  | 0,53    |
| 160                    | 140                    | 230     | 100                  | 0,87    |
| 160                    | 150                    | 260     | 100                  | 0,99    |
| 160                    | 160                    | 209     | 105                  | 0,63    |
| 180                    | 80                     | 140     | 102                  | 0,92    |
| 180                    | 100                    | 175     | 105                  | 0,80    |
| 180                    | 125                    | 215     | 110                  | 0,91    |
| 180                    | 140                    | 230     | 110                  | 0,96    |
| 180                    | 150                    | 260     | 110                  | 1,08    |
| 180                    | 160                    | 260     | 115                  | 1,06    |
| 180                    | 180                    | 285     | 115                  | 1,44    |
| 200                    | 80                     | 140     | 112                  | 0,77    |
| 200                    | 100                    | 175     | 115                  | 0,88    |
| 200                    | 125                    | 215     | 115                  | 1,02    |
| 200                    | 140                    | 230     | 120                  | 1,07    |
| 200                    | 150                    | 260     | 120                  | 1,19    |
| 200                    | 160                    | 209     | 125                  | 0,67    |
| 200                    | 180                    | 285     | 125                  | 1,35    |
| 200                    | 200                    | 249     | 125                  | 1,21    |
| 224                    | 80                     | 140     | 124                  | 0,85    |
| 224                    | 100                    | 175     | 127                  | 1,01    |
| 224                    | 125                    | 215     | 132                  | 1,14    |
| 224                    | 140                    | 230     | 132                  | 1,20    |
| 224                    | 150                    | 260     | 132                  | 1,29    |
| 224                    | 160                    | 260     | 137                  | 1,28    |
| 224                    | 180                    | 285     | 137                  | 1,46    |
| 224                    | 200                    | 346     | 137                  | 1,69    |
| 250                    | 80                     | 156     | 137                  | 1,13    |
| 250                    | 100                    | 175     | 140                  | 1,22    |
| 250                    | 125                    | 220     | 145                  | 1,48    |
| 250                    | 140                    | 230     | 145                  | 1,48    |
| 250                    | 150                    | 255     | 145                  | 1,55    |
| 250                    | 160                    | 256     | 150                  | 1,58    |
| 250                    | 180                    | 306     | 150                  | 1,79    |
| 250                    | 200                    | 306     | 150                  | 1,78    |
| 250                    | 224                    | 350     | 150                  | 2,09    |
| 250                    | 250                    | 296     | 150                  | 1,65    |
| 280                    | 80                     | 156     | 155                  | 1,25    |
| 280                    | 100                    | 175     | 155                  | 1,37    |
| 280                    | 125                    | 220     | 160                  | 1,56    |
| 280                    | 140                    | 230     | 160                  | 1,63    |
| 280                    | 150                    | 255     | 160                  | 1,72    |
| 280                    | 160                    | 256     | 165                  | 1,75    |

| Ød <sub>1</sub><br>nom | Ød <sub>3</sub><br>nom | l<br>mm | l <sub>3</sub><br>mm | m<br>kg |
|------------------------|------------------------|---------|----------------------|---------|
| 280                    | 180                    | 306     | 165                  | 1,97    |
| 280                    | 200                    | 306     | 165                  | 2,01    |
| 280                    | 224                    | 350     | 165                  | 2,27    |
| 280                    | 250 *                  | 350     | 140                  | 2,44    |
| 280                    | 280 *                  | 390     | 140                  | 2,67    |
| 300                    | 80                     | 156     | 162                  | 1,36    |
| 300                    | 100                    | 175     | 165                  | 1,47    |
| 300                    | 125                    | 220     | 170                  | 1,68    |
| 300                    | 140                    | 230     | 170                  | 1,74    |
| 300                    | 150                    | 255     | 170                  | 1,86    |
| 300                    | 160                    | 256     | 175                  | 1,87    |
| 300                    | 180                    | 306     | 175                  | 2,12    |
| 300                    | 200                    | 306     | 175                  | 2,15    |
| 300                    | 224                    | 350     | 175                  | 2,41    |
| 300                    | 250                    | 350     | 175                  | 2,50    |
| 300                    | 280 *                  | 390     | 150                  | 2,53    |
| 300                    | 300                    | 430     | 175                  | 3,55    |
| 315                    | 80                     | 156     | 170                  | 1,43    |
| 315                    | 100                    | 175     | 173                  | 1,50    |
| 315                    | 125                    | 220     | 178                  | 1,76    |
| 315                    | 140                    | 230     | 178                  | 1,82    |
| 315                    | 150                    | 355     | 178                  | 2,38    |
| 315                    | 160                    | 256     | 182                  | 1,96    |
| 315                    | 180                    | 306     | 182                  | 2,21    |
| 315                    | 200                    | 306     | 182                  | 2,14    |
| 315                    | 224                    | 350     | 182                  | 2,51    |
| 315                    | 250                    | 350     | 182                  | 2,59    |
| 315                    | 280                    | 390     | 182                  | 3,00    |
| 315                    | 300                    | 430     | 182                  | 3,21    |
| 315                    | 315                    | 363     | 182                  | 2,20    |
| 355                    | 100                    | 175     | 193                  | 1,73    |
| 355                    | 125                    | 220     | 198                  | 1,96    |
| 355                    | 140                    | 230     | 198                  | 2,03    |
| 355                    | 150                    | 255     | 198                  | 2,46    |
| 355                    | 160                    | 256     | 203                  | 2,45    |
| 355                    | 180                    | 306     | 203                  | 2,81    |
| 355                    | 200                    | 306     | 203                  | 2,82    |
| 355                    | 224                    | 350     | 203                  | 3,13    |
| 355                    | 250                    | 350     | 203                  | 3,18    |
| 355                    | 280 *                  | 390     | 178                  | 3,63    |
| 355                    | 300                    | 430     | 203                  | 3,87    |
| 355                    | 315                    | 455     | 203                  | 4,06    |
| 355                    | 355 *                  | 470     | 203                  | 5,14    |
| 400                    | 100                    | 175     | 215                  | 2,27    |
| 400                    | 125                    | 225     | 220                  | 2,81    |
| 400                    | 160                    | 266     | 225                  | 3,02    |
| 400                    | 200                    | 300     | 225                  | 3,37    |

## T-piece

## TCPUR

|    | Ød <sub>1</sub><br>nom | Ød <sub>3</sub><br>nom | l<br>mm | l <sub>3</sub><br>mm | m<br>kg |
|----|------------------------|------------------------|---------|----------------------|---------|
| 1  | 400                    | 224                    | 350     | 225                  | 3,74    |
| 2  | 400                    | 250                    | 350     | 225                  | 3,79    |
| 3  | 400                    | 280 *                  | 390     | 200                  | 4,23    |
| 4  | 400                    | 300                    | 430     | 225                  | 4,47    |
| 5  | 400                    | 315                    | 415     | 225                  | 4,42    |
| 6  | 400                    | 355 *                  | 470     | 225                  | 5,04    |
| 7  | 400                    | 400                    | 510     | 225                  | 6,20    |
| 8  | 450                    | 100                    | 175     | 240                  | 2,76    |
| 9  | 450                    | 125                    | 225     | 245                  | 3,15    |
| 10 | 450                    | 160                    | 266     | 250                  | 3,38    |
| 11 | 450                    | 200                    | 300     | 250                  | 3,75    |
| 12 | 450                    | 224                    | 350     | 250                  | 4,16    |
| 13 | 450                    | 250                    | 350     | 250                  | 4,23    |
| 14 | 450                    | 280 *                  | 390     | 225                  | 4,64    |
| 15 | 450                    | 300                    | 430     | 250                  | 4,89    |
| 16 | 450                    | 315                    | 415     | 250                  | 4,82    |
| 17 | 450                    | 355                    | 470     | 250                  | 5,16    |
| 18 | 450                    | 400                    | 510     | 250                  | 5,81    |
| 19 | 450                    | 450 *                  | 550     | 225                  | 6,99    |
| 20 | 500                    | 100                    | 175     | 265                  | 3,06    |
| 21 | 500                    | 125                    | 225     | 270                  | 3,35    |
| 22 | 500                    | 160                    | 266     | 275                  | 3,77    |
| 23 | 500                    | 200                    | 300     | 275                  | 4,14    |
| 24 | 500                    | 250                    | 350     | 275                  | 4,68    |
| 25 | 500                    | 300                    | 430     | 275                  | 5,36    |
| 26 | 500                    | 315                    | 415     | 275                  | 5,30    |
| 27 | 500                    | 355                    | 470     | 275                  | 5,70    |
| 28 | 500                    | 400                    | 510     | 275                  | 6,34    |
| 29 | 500                    | 450 *                  | 550     | 250                  | 6,56    |
| 30 | 500                    | 500 *                  | 552     | 290                  | 8,27    |
| 31 | 560                    | 100                    | 175     | 295                  | 3,59    |
| 32 | 560                    | 125                    | 225     | 300                  | 3,92    |
| 33 | 560                    | 160                    | 266     | 305                  | 4,41    |
| 34 | 560                    | 200                    | 300     | 305                  | 4,78    |
| 35 | 560                    | 250                    | 350     | 305                  | 5,38    |
| 36 | 560                    | 300                    | 430     | 280                  | 5,86    |
| 37 | 560                    | 315                    | 415     | 305                  | 6,06    |
| 38 | 560                    | 355                    | 470     | 305                  | 6,57    |
| 39 | 560                    | 400                    | 510     | 305                  | 7,08    |
| 40 | 560                    | 450 *                  | 550     | 280                  | 7,38    |
| 41 | 560                    | 500 *                  | 552     | 280                  | 7,57    |
| 42 | 560                    | 560 *                  | 610     | 280                  | 9,69    |
| 43 | 600                    | 100                    | 175     | 315                  | 3,83    |
| 44 | 600                    | 125                    | 225     | 320                  | 4,19    |
| 45 | 600                    | 160                    | 266     | 325                  | 4,73    |
| 46 | 600                    | 200                    | 300     | 325                  | 5,10    |
| 47 | 600                    | 250                    | 350     | 325                  | 5,73    |

|    | Ød <sub>1</sub><br>nom | Ød <sub>3</sub><br>nom | l<br>mm | l <sub>3</sub><br>mm | m<br>kg |
|----|------------------------|------------------------|---------|----------------------|---------|
| 48 | 600                    | 300 *                  | 430     | 300                  | 6,36    |
| 49 | 600                    | 315                    | 415     | 325                  | 6,46    |
| 50 | 600                    | 355 *                  | 470     | 300                  | 6,98    |
| 51 | 600                    | 400                    | 510     | 325                  | 7,43    |
| 52 | 600                    | 450 *                  | 550     | 300                  | 7,84    |
| 53 | 600                    | 500 *                  | 552     | 300                  | 7,91    |
| 54 | 600                    | 560 *                  | 610     | 300                  | 8,76    |
| 55 | 600                    | 600 *                  | 650     | 300                  | 10,8    |
| 56 | 630                    | 100                    | 175     | 330                  | 4,03    |
| 57 | 630                    | 125                    | 225     | 335                  | 4,41    |
| 58 | 630                    | 160                    | 266     | 340                  | 4,99    |
| 59 | 630                    | 200                    | 300     | 340                  | 5,35    |
| 60 | 630                    | 250                    | 350     | 340                  | 6,00    |
| 61 | 630                    | 300 *                  | 450     | 315                  | 7,23    |
| 62 | 630                    | 315                    | 415     | 340                  | 6,77    |
| 63 | 630                    | 355 *                  | 470     | 315                  | 7,18    |
| 64 | 630                    | 400                    | 510     | 340                  | 7,69    |
| 65 | 630                    | 450 *                  | 555     | 315                  | 8,24    |
| 66 | 630                    | 500 *                  | 552     | 340                  | 8,44    |
| 67 | 630                    | 560 *                  | 610     | 315                  | 9,11    |
| 68 | 630                    | 600 *                  | 650     | 315                  | 9,58    |
| 69 | 630                    | 630 *                  | 680     | 340                  | 11,3    |

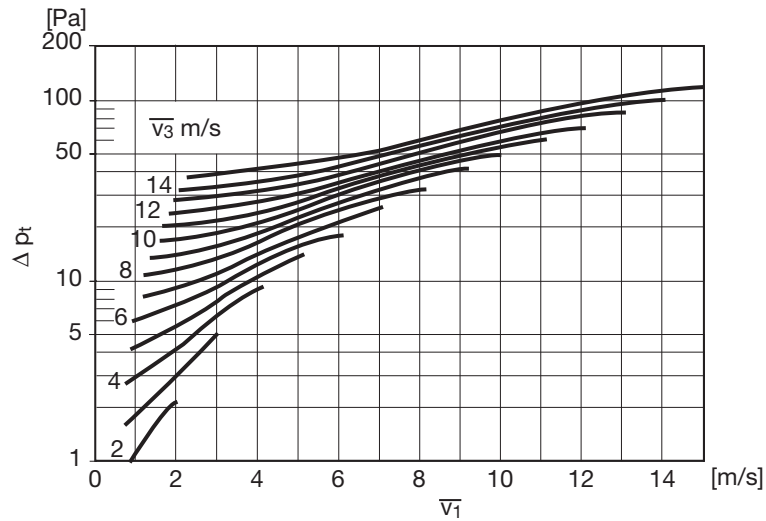
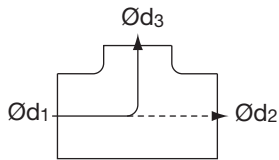
\* Hand made with saddle without radius.

# T-piece and saddle

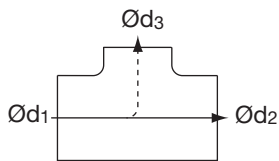
# T-CPU, PSU

Supply air

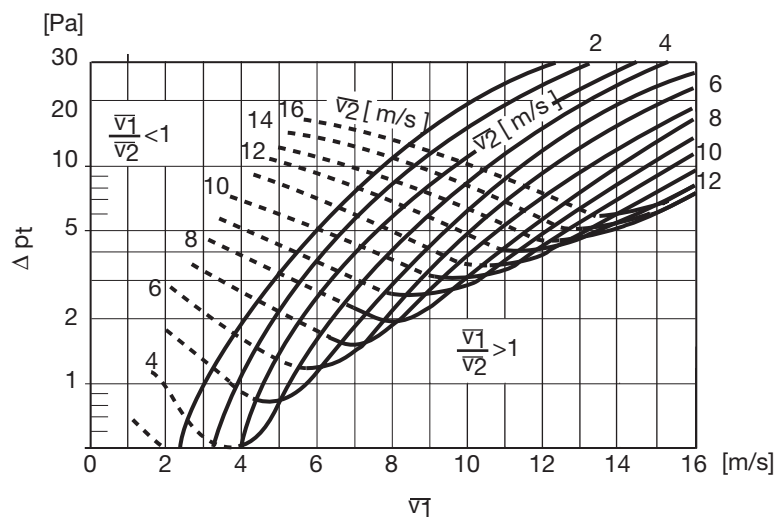
**Diverging flow**



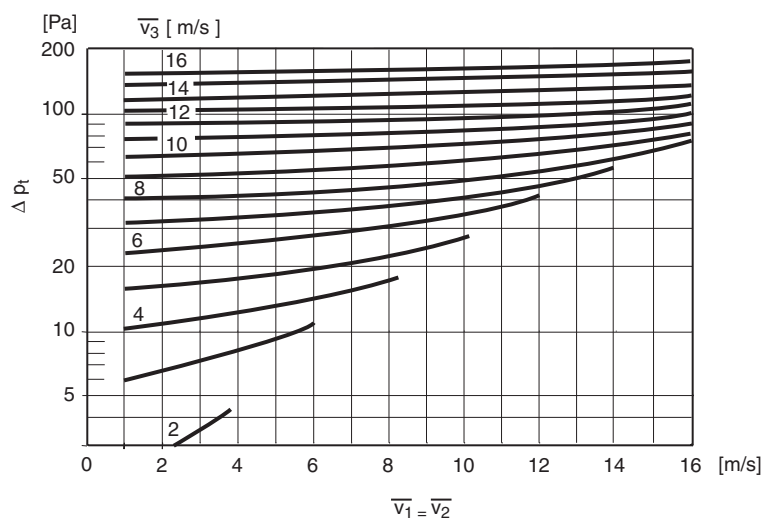
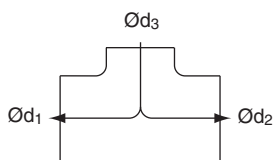
**Diverging flow**



The diagram is also applicable to reduction in  $\text{Ød}_2$ .



**Diverging flow**



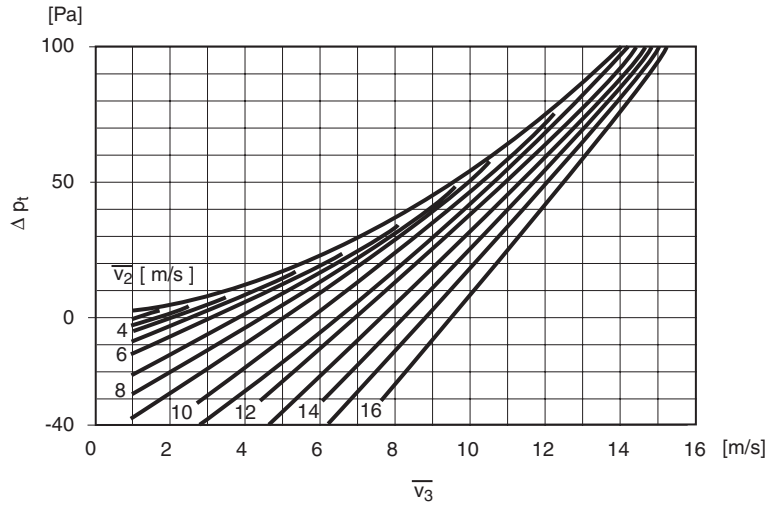
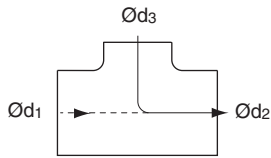
- 1
- 2
- 3
- 4
- 5
- 6
- 7
- 8
- 9
- 10
- 11
- 12
- 13
- 14
- 15
- 16
- 17
- 18

# T-piece and saddle

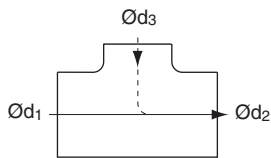
# T-CPU, PSU

## Extract air

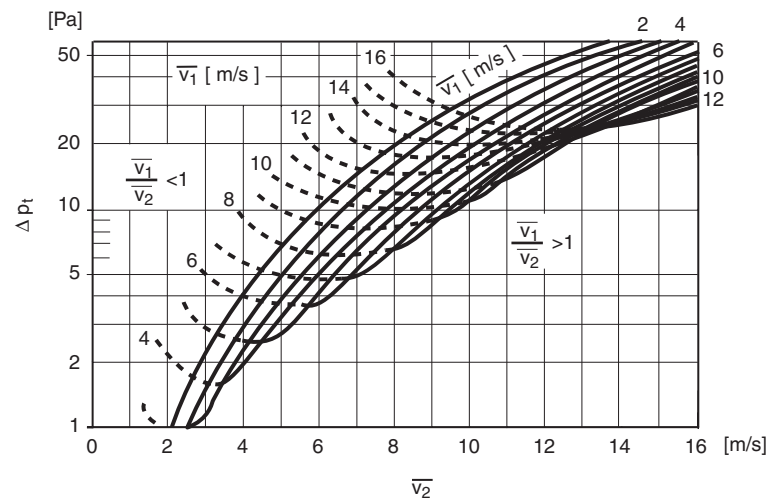
### Converging flow



### Converging flow



The diagram is also applicable to reduction in  $\text{Ød}_1$ .



### Converging flow

