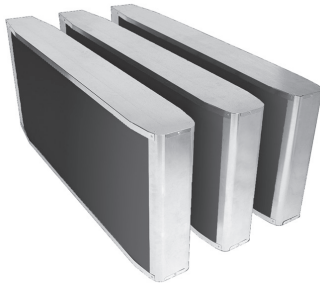


Silencer splitter

SLRA

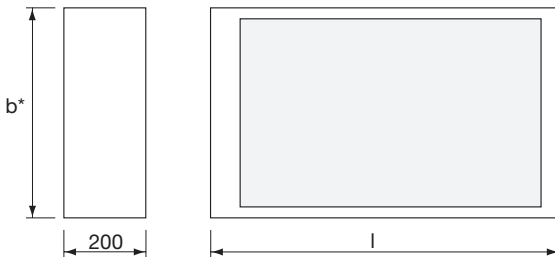


Description

SLRA is the basic element in the Aerodim™ silencer series. The SLRA is manufactured with a frame of galvanized sheet and absorption material type Lindtec™. The SLRA is available in a width of 200 mm. The SLRA is also available in other lengths and with other splitter distances than shown in the tables. Special materials and sizes, please contact Lindab sales. The Lindtec™ surface is easy to clean and prevents removal of fibres. Due to the aerodynamic design, the SLRA has a low pressure loss and a low generation of flow noise. To calculate the silencer, you can use our IT-program DIMsilencer, where splitter distance, length and height can be optimized for the best performance.

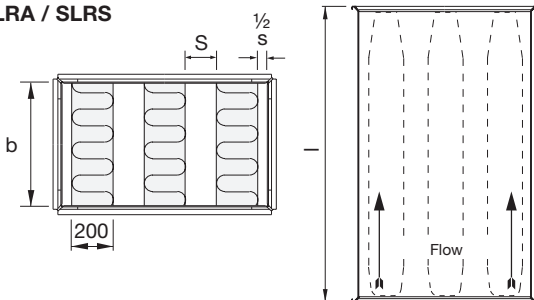
Dimensions

SLRA



b* = Manufactured height of splitter is b-5 mm, to fit into duct.

SLRA / SLRS



See how to calculate (S) from a given (a) in the separate AeroDim-SLRA-SLRS installation instruction page 4.

Standard lengths (l) : 700, 1300, 1450, 1900, 2500 (Shown in tables above)

Standard heights (b): 300, 600, 900, 1200

Other lengths between Min./Max. 500 - 2500 mm on requests.

Technical data examples

Splitter distance S = 60

Length l _{nom} [mm]	Insertion loss [dB] for centre frequency [Hz]								Pressure value ξ
	63	125	250	500	1K	2K	4K	8K	
700	4	9	18	26	35	32	22	16	8,9
1300	6	15	31	46	50	50	36	25	12,0
1450	7	16	34	50	50	50	39	27	12,9
1900	9	21	44	50	50	50	48	32	15,2
2500	11	26	50	50	50	50	50	37	18,5

Splitter distance S = 80

Length l _{nom} [mm]	Insertion loss [dB] for centre frequency [Hz]								Pressure value ξ
	63	125	250	500	1K	2K	4K	8K	
700	3	7	15	23	30	27	18	14	4,9
1300	5	12	26	40	50	48	30	21	6,5
1450	5	14	29	44	50	50	32	22	6,9
1900	7	18	38	50	50	50	40	26	8,1
2500	8	22	47	50	50	50	47	31	9,6

Splitter distance S = 100

Length l _{nom} [mm]	Insertion loss [dB] for centre frequency [Hz]								Pressure value ξ
	63	125	250	500	1K	2K	4K	8K	
700	3	6	13	20	26	22	15	11	2,8
1300	4	11	23	36	50	40	24	17	3,8
1450	5	12	26	40	50	44	27	18	4,0
1900	6	15	33	50	50	50	33	22	4,7
2500	7	19	42	50	50	50	39	25	5,6

Splitter distance S = 120

Length l _{nom} [mm]	Insertion loss [dB] for centre frequency [Hz]								Pressure value ξ
	63	125	250	500	1K	2K	4K	8K	
700	2	6	12	19	23	18	12	9	1,8
1300	4	10	21	33	45	33	20	14	2,4
1450	4	11	23	36	50	36	22	15	2,5
1900	5	14	30	47	50	46	27	18	3,0
2500	6	17	38	50	50	50	32	21	3,5

Splitter distance S = 140

Length l _{nom} [mm]	Insertion loss [dB] for centre frequency [Hz]								Pressure value ξ
	63	125	250	500	1K	2K	4K	8K	
700	2	5	11	17	20	15	10	8	1,1
1300	3	9	19	30	39	27	17	12	1,5
1450	4	10	22	34	44	30	18	12	1,7
1900	4	12	28	44	50	38	22	15	2,0
2500	5	15	35	50	50	47	27	17	2,4

NB. Max. attenuation specified is 50 dB.

The pressure loss Δp in Pa can be calculated from the pressure value ξ: Δp = 0,6 × v² × ξ where (v) is the velocity on the face area of the silencer.

Order code

Product	SLRA	b	l
SLRA			
Height b in mm	Max. 1200 mm (in single SLRS*)		
Length l_{nom} in mm	Min. - Max. 500 - 2500 mm		

Example: SLRA - 600 - 1000

* The max. height of the splitter (b) can be increased by building two splitters on top of each other. See the SLRA / SLRS installation instruction for more details.