

Bend – Casting-in programme

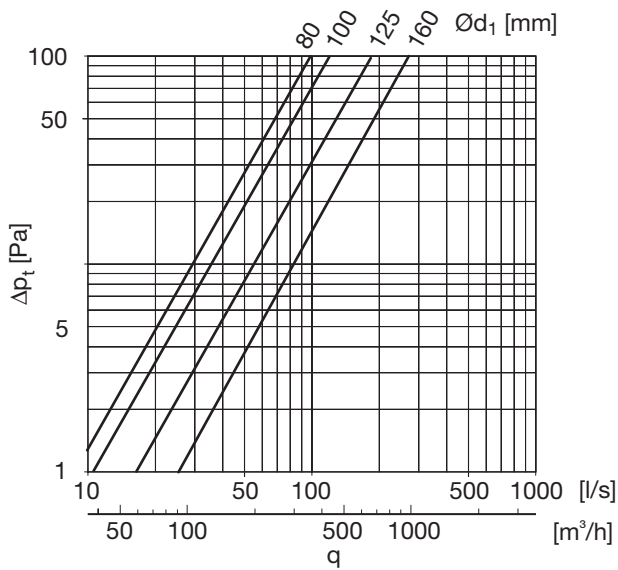
BKMUSS 90°



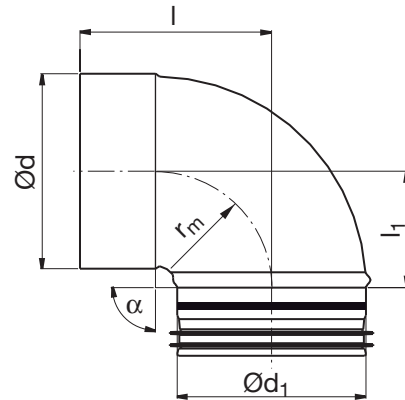
Description

Pressed and seam welded bend with short installation length.

The product is CE marked according to EN 12101-7 and used in a circular smoke control system - single compartment (see declaration of performance).



Dimensions



$$r_m = 0,6 \cdot d_1$$

$\text{Ø}d_1$ nom	$\text{Ø}d$ nom	l mm	l_1 mm	m kg
100	100	105	62	0,21
125	125	120	79	0,31
160	160	136	94	0,63

Ordering example

