

Regulating damper

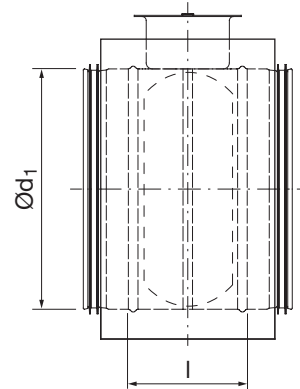
DRUI



Description

Regulating damper, insulated.
Technical data according to DRU.

Dimensions



25 mm insulation.

Ød ₁ nom	l [mm]	m [kg]	Sealing class past closed blade
100	100	1,00	0
125	100	1,10	0
150	100	1,30	0
160	100	1,40	0
200	100	1,80	0
250	100	2,50	0
300	100	2,90	0
315	100	3,10	0
355	100	3,60	0
400	100	4,30	0
450	115	5,30	0
500	115	6,20	0

50 mm insulation.

Ød ₁ nom	l [mm]	m [kg]	Sealing class past closed blade
100	100	1,10	0
125	100	1,30	0
150	100	1,60	0
160	100	1,70	0
200	100	2,20	0
250	100	2,80	0
300	100	3,20	0
315	100	3,40	0
355	100	4,00	0
400	100	4,70	0
450	115	5,80	0
500	115	6,50	0

Ordering example

