

X-piece

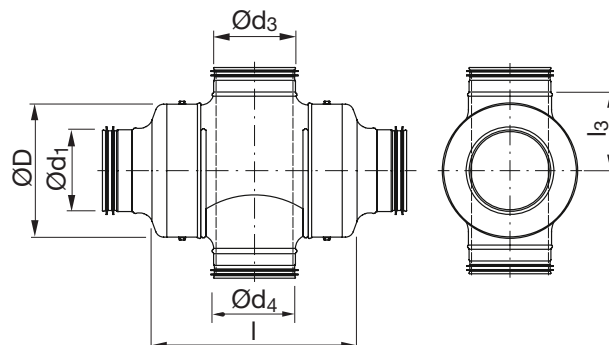
XBPRU



Description

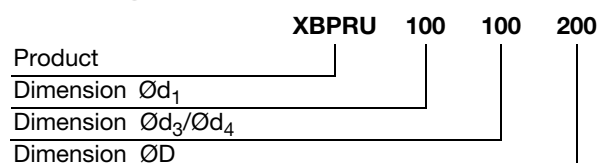
X-piece, with bypass function, helping when crossing ducts when the ceiling height is restricted or when increased ceiling height is desired. Enlarged dimensions for optimal ratio between pressure drop and space.

Dimensions



Ød ₁ nom	Ød ₃ /Ød ₄ nom	ØD nom	l [mm]	l ₃ [mm]	m [kg]
80	80	125	292	75	1,12
80	80	160	324	92	1,41
80	80	200	324	112	1,60
100	100	160	341	95	1,66
100	100	200	343	115	1,84
100	100	315	343	173	4,61
125	125	200	395	115	2,19
125	125	250	490	145	3,38
125	125	400	490	245	7,30
160	160	250	490	150	3,38
160	160	315	562	185	4,78
160	160	500	562	275	10,4
200	200	315	568	182	5,15
200	200	400	692	225	7,76
200	200	630	692	340	13,5
250	250	400	690	225	8,75
250	250	500	766	275	11,6
315	315	500	785	275	12,8
315	315	630	895	340	16,3

Ordering example



X-piece

XBPRU

Technical data

