

Access door

KCU



Description

Insulated access door which fits outside a Safe fitting.

KCU is tested with the whole Lindab smoke evacuation system according to EN 1366-9.

Ø100–315

The door is held in place by spring clips against the inside of the Safe fitting. The door is loosened by pulling it while turning it slightly, and is installed in the opposite manner. There are one or two handles to help in the process.

Ø400–630

The door is held in place by two eccentric locks and is loosened by unlocking the eccentric locks. Slightly turning and pulling the door will make it easier to get it loose.

Δp in the table gives the maximum positive pressure the access door can withstand when installed from beneath.

No Click function – no notches.

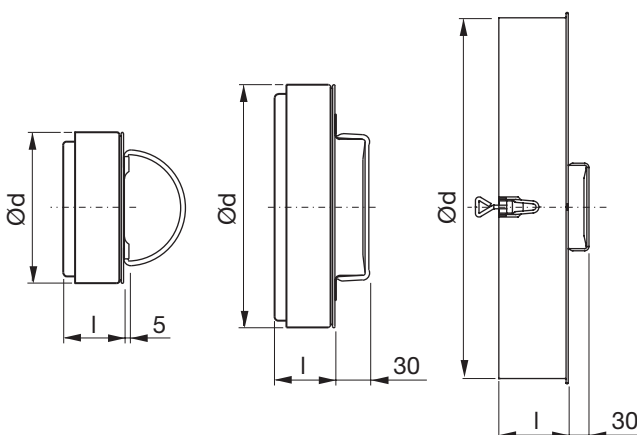
Can achieve maximum tightness class D.

Dimensions

Ø100 – 160

Ø200 – 315

Ø400 – 630



Dimensions

Ød nom	Δp Pa	l [mm]	m [kg]	Handle
100	3400	40	0,30	1 folding
125	3400	40	0,40	1 folding
160	3400	40	0,60	1 folding
200	3400	40	0,80	1 fixed
250	3400	60	1,28	2 fixed
315	2600	60	1,81	2 fixed
400	10000	90	2,82	2 fixed
500	10000	90	6,40	2 fixed
630	10000	90	10,1	2 fixed

Fire classification (Swedish type approval)

The access door has been tested and has a Swedish type approval for the following fire classification:

Ød nom	Fire classification
100–400	E 60

Alternative fire classification with safety distances, guidance for planning.

In order to use the access door's alternative fire classes:

- minimum safety distance according to table must be ensured
- the surface of the access door must not be changed, e.g. by painting

Ød nom	Fire classes with protective distance	
	3 kW/m ² (evacuating people) mm	10 kW/m ² (combustible material) mm
100	EI 60	50
125	EI 60	50
160	EI 60	50
200	EI 60	50
250	EI 60	50
315	EI 60	50
400	EI 60	50

Ordering example

Product **KCU**
 Dimension Ød **250**

