

Motorized shut-off damper

DTPU



Description

Shut-off damper with pneumatic actuator

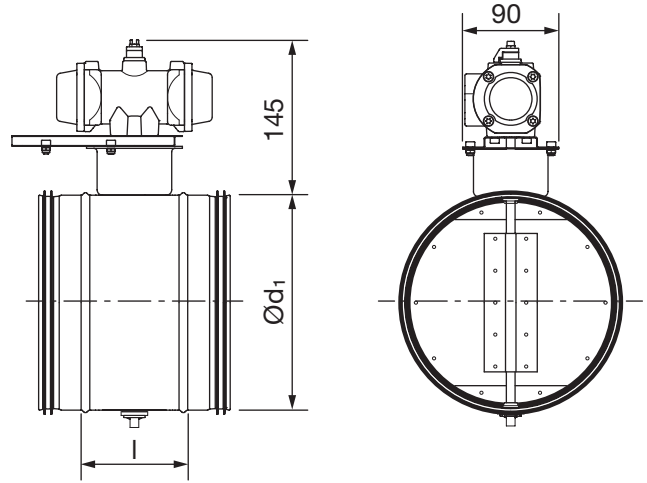
Consists of a DTU damper with a pneumatic actuator installed. The actuator consists of a polyamide housing and metal parts of stainless steel.

When the actuator's control pressure increases, the actuator opens the damper blade. When the actuator's control pressure decreases, the actuator closes the damper blade, by using the spring inside the actuator. The damper blade is closed on delivery.

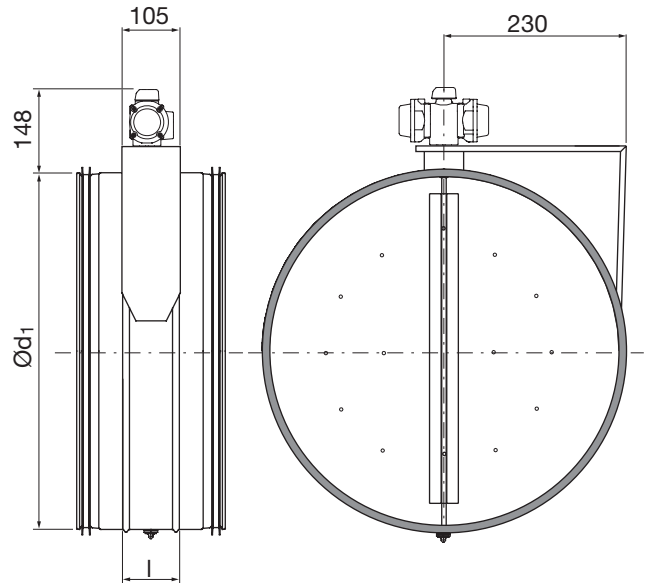
There is a separate assembly, measuring, balancing and maintenance instruction for this product.

Dimensions

Ø80-400



Ø500-630



Ordering example

Product	DTPU	200	PPWS
Dimension $\text{Ø}d_1$			
Motor type			



Motorized shut-off damper

DTPU

Dimensions

Ød ₁ nom	l [mm]	m [kg]	Sealing class past closed blade	Pressure class in closed position
80	100	1,30	4	C
100	100	1,35	4	C
125	100	1,50	4	C
160	100	1,70	4	C
200	100	2,00	4	C
250	100	2,50	4	C
315	100	3,10	4	C
400	100	4,60	4	B
500	115	7,54	4	B
630	115	10,3	4	B

Technical data for the motors

	PPWS
Air connection	1/4" BSPP
Volume of free air required for full stroke.....	0,075 l
Max pressure	8 bar
Ambient temperature range	-5 to +60°C
Weight	0,50 kg
Running time 0 – 90 °	1 s

	POWS
Air connection	1/4" BSPP
Volume of free air required for full stroke.....	0,15 l
Power pressure max	8 bar
Ambient temperature range	-5 to +60 °C
Weight	0,90 kg
Running time 0 – 90 °	1 s

	Pressure (Bar)	Position	Torque (Nm)
Spring movement	-	Start	10
Spring movement	-	End	6,7
Pneumatic movement	5	Start	7,4
Pneumatic movement	5	End	4,1
Pneumatic movement	6	Start	10,3
Pneumatic movement	6	End	7
Pneumatic movement	7	Start	13,1
Pneumatic movement	7	End	9,8
Pneumatic movement	8	Start	16,2
Pneumatic movement	8	End	12,9

	Pressure (Bar)	Position	Torque (Nm)
Spring movement	-	Start	18,8
Spring movement	-	End	12,7
Pneumatic movement	6	Start	15,9
Pneumatic movement	6	End	9,7
Pneumatic movement	7	Start	21,0
Pneumatic movement	7	End	14,8
Pneumatic movement	8	Start	26,1
Pneumatic movement	8	End	20,0

Technical data

For technical data go to [LindQST](#).

