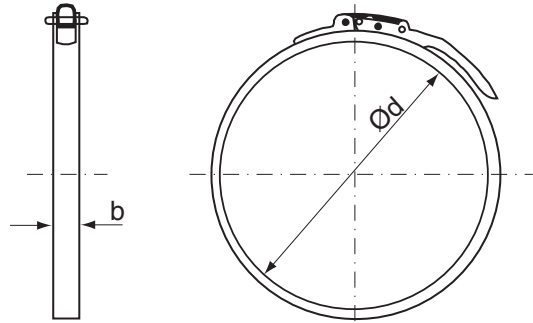


## Clip

## SB1



## Dimensions



## Description

Provided with a rubber gasket of EPDM rubber and a thread spring. The clip handle can be secured against inadvertent opening by means of a lock pin.

Temperature range -30 to +75 °C continuous  
-40 to +85 °C intermittent

The clamp is made of galvanized steel Z275, screws and rivets are electrogalvanized and will fulfill corrosivity class C1

Ød nom	b mm	m kg
80	14	0,10
100	14	0,10
125	14	0,10
140	14	0,10
150	14	0,10
160	14	0,10
180	19	0,20
200	19	0,30
224	19	0,30
250	19	0,30
300	25	0,40
315	25	0,50
350	25	0,60
400	25	0,60
450	25	0,70
500	25	0,80

## Ordering example

Product	SB1	250
Dimension Ød		