

# Circular curved silencer

# BSLUSS2 100



## Description

Lack of space is a frequent problem in air treatment installations. This means that it is often difficult to find enough straight lengths to install a straight silencer.

This problem can be eliminated by installing a curved silencer.

For the same length, it mostly has better attenuation than the equivalent straight silencer. In particular, you get better attenuation at high frequencies (4 and 8 kHz).

Insulation thickness for BSLUSS2 100: 100 mm.

Insulation thickness for BSLUSS2 50: 50 mm.

Tested according to ISO 7235.

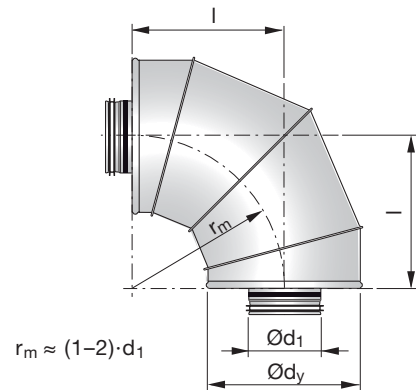
BSLUSS2 is tested with the whole Lindab smoke evacuation system according to EN 1366-9.

## Order code

**Product** BSLUSS2    **aaa**    **100**  
 BSLUSS2  
**Connection dim. Ød<sub>1</sub>**  
 Ød<sub>1</sub> = 125 - 630 mm  
**Insulation thickness**  
 100 mm

Example: BSLUSS2 - 200 - 100

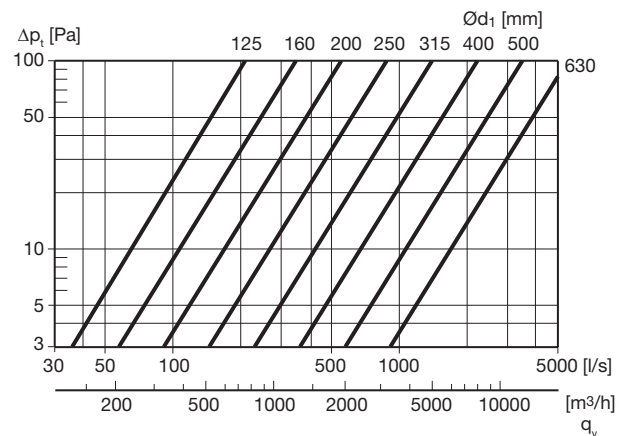
## Dimensions and sound data



Ød <sub>1</sub> nom	l [mm]	Insertion loss [dB] for centre frequency [Hz]								Ød <sub>y</sub> [mm]	m [kg]
		63	125	250	500	1k	2k	4k	8k		
125	260	7	6	17	22	28	38	33	26	325	7,7
160	280	4	6	13	17	25	33	26	25	365	8,9
200	325	2	5	14	19	29	24	25	22	410	11,8
250	370	3	5	11	15	28	22	26	21	465	16,0
315	375	2	4	10	15	20	17	22	17	510	19,6
400	420	2	4	8	13	13	13	14	13	615	29,9
500	510	1	4	9	13	10	13	13	12	735	45,0
630	610	2	6	13	12	11	12	13	12	880	64,1

\* Supplied with two loose couplings.

## Technical data



# Circular curved silencer

# BSLUSS2 50



## Description

Lack of space is a frequent problem in air treatment installations. This means that it is often difficult to find enough straight lengths to install a straight silencer.

This problem can be eliminated by installing a curved silencer.

For the same length, it mostly has better attenuation than the equivalent straight silencer. In particular, you get better attenuation at high frequencies (4 and 8 kHz).

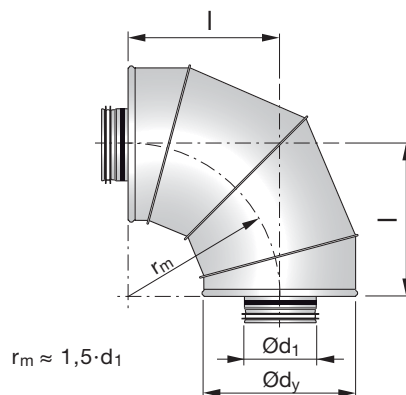
Insulation thickness for BSLUSS2 100: 100 mm.

Insulation thickness for BSLUSS2 50: 50 mm.

Tested according to ISO 7235.

BSLUSS2 is tested with the whole Lindab smoke evacuation system according to EN 1366-9.

## Dimensions and sound data



Ød <sub>1</sub> nom	l [mm]	Insertion loss [dB] for centre frequency [Hz]								Ød <sub>y</sub> [mm]	m [kg]
		63	125	250	500	1k	2k	4k	8k		
125	260	3	2	6	14	22	33	26	22	235	3,3
160	285	1	2	6	14	23	29	25	21	270	4,2
200	355	0	2	5	15	29	24	24	20	310	6,3
250	370	1	2	6	17	31	22	27	20	365	10,7
315	370	1	2	7	19	20	17	20	16	427	11,4

## Technical data

