

Bend short frame for casting

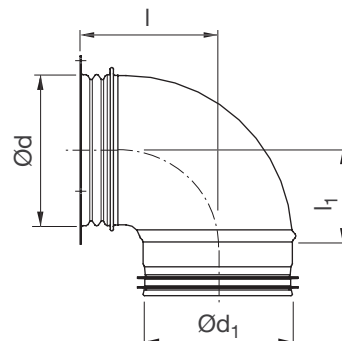
BSIUCST



Description

Short installation length with air valve socket and nail flange with pre-punched holes. Fits air valve KVB etc.

Dimensions



Ød ₁ nom	Ød nom	l [mm]	l ₁ [mm]	m kg
100	92	93	62	0,23
125	117	106	79	0,31
160	152	131	94	0,39

Ordering example

