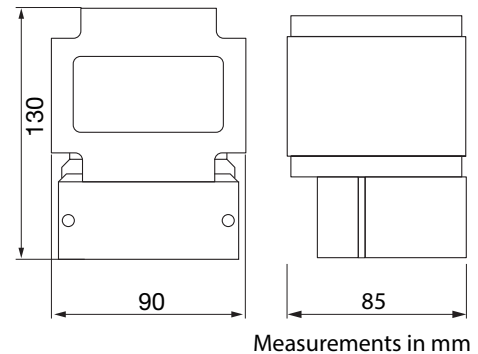


# Power supply unit

# PRO-P



## Dimensions



## Description

PRO-P is a power supply unit that is required when using damper units (PRO-S) in the Lindab Fire System Pro. PRO-P can provide 10 PRO-S units, depending on cable and length.

## Electrical data

Voltage	230V - 24V transformer
Current	150 VA

## Ordering example

Product	<b>PRO-P</b>
---------	--------------