

Taper

LDRSS



Description

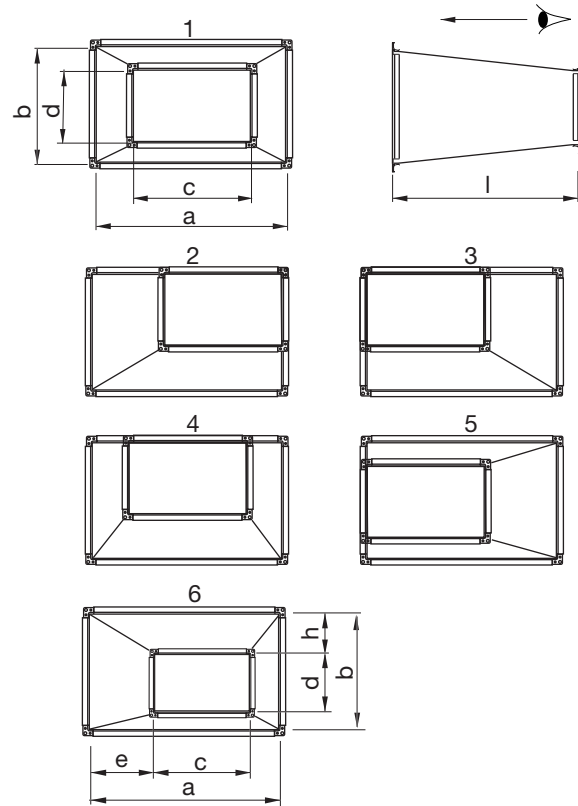
The taper is used as transition between different duct dimensions. The larger dimensions are available with offsets as in the coded sketches.

Dimension changes have a joining profile type RJFP at both ends, and are stiffened by corrugations.

Measures e and h only need to be given for alternative 6. Negative values for e, for example, mean that e is outside side a.

The product is CE marked according to EN 12101-7 and used in a rectangular smoke control system - single compartment (see declaration of performance).

Dimensions



a mm	l std mm
100	300
150	300
200	300
250	300
300	300
350	300
400	450
450	450
500	450
600	450
700	450
800	600
900	600
1000	600

Ordering example

Product	LDRSS	500	300	300	200	450	1
Large end a									
Large end b									
Small end c									
Small end d									
Length l									
The alternative displacements are seen from the cxd end									
Displacement e									(Only at alternative 6.)
Displacement h									(Only at alternative 6.)