

Bend

BUSS 90°

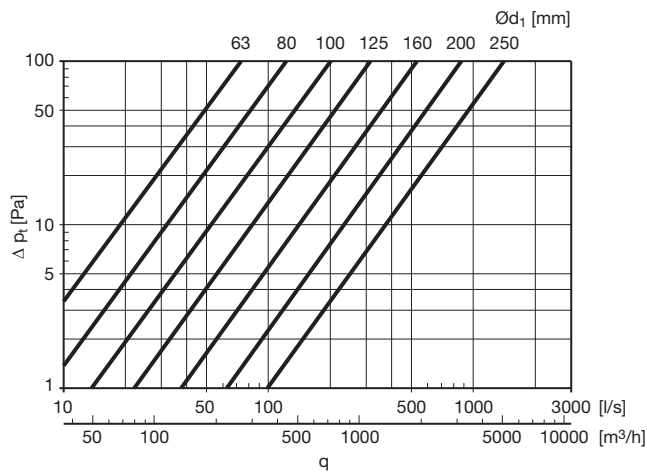


Description

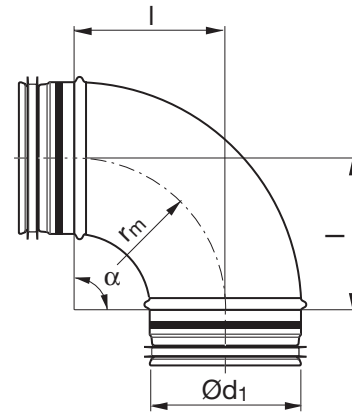
Pressed and seam welded bend.

The product is CE marked according to EN 12101-7 and used in a circular smoke control system - single compartment (see declaration of performance).

Technical data



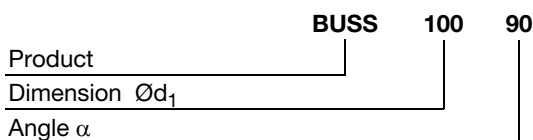
Dimensions



$$r_m \approx 1 \cdot d_1$$

Ød ₁ nom	l [mm]	m [kg]
100	100	0,31
112	120	0,39
125	125	0,48
140	140	0,66
150	150	0,66
160	160	0,62
180	180	1,02
200	200	1,12
224	225	1,33
250	242	1,77

Ordering example



Bend

BUSS 60°

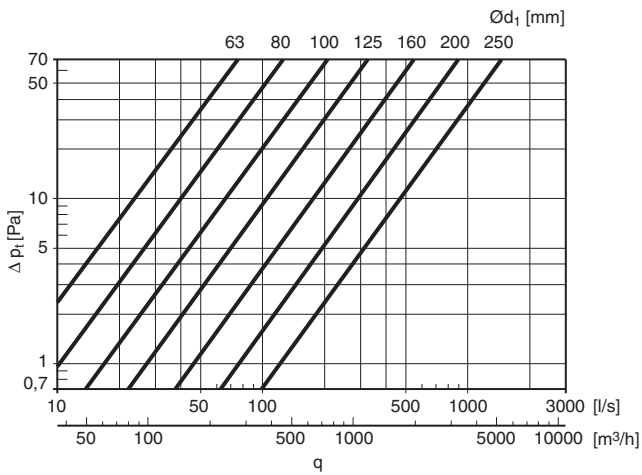


Description

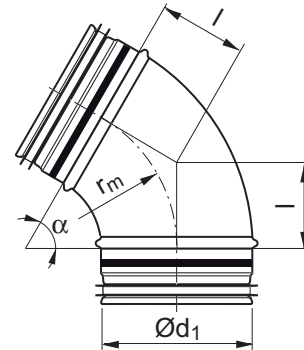
Pressed and seam welded bend.

The product is CE marked according to EN 12101-7 and used in a circular smoke control system - single compartment (see declaration of performance).

Technical data



Dimensions



$$r_m \approx 1 \cdot d_1$$

Ød ₁ nom	l [mm]	m [kg]
100	58	0,33
112	69	0,37
125	72	0,33
140	78	0,51
150	87	0,50
160	92	0,56
180	104	0,79
200	115	0,82
224	130	0,95
250	144	1,12

Bend

BUSS 45°

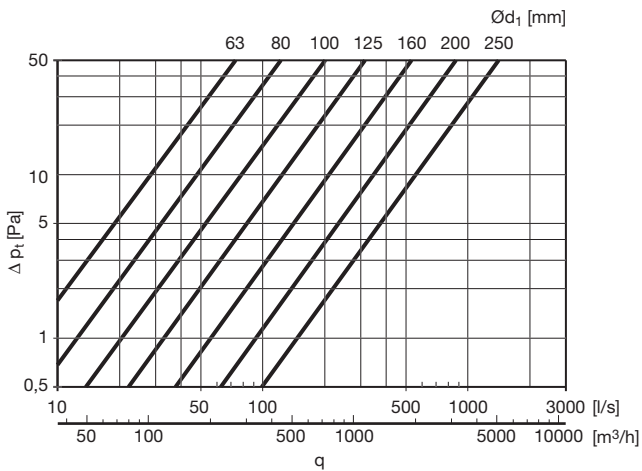


Description

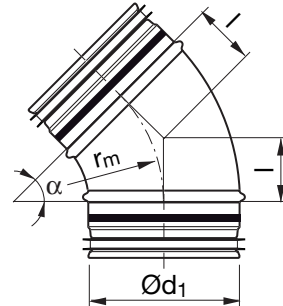
Pressed and seam welded bend.

The product is CE marked according to EN 12101-7 and used in a circular smoke control system - single compartment (see declaration of performance).

Technical data



Dimensions



$$r_m \approx 1 \cdot d_1$$

Ød ₁ nom	l [mm]	m [kg]
100	41	0,21
112	81	0,24
125	52	0,29
140	56	0,43
150	62	0,42
160	66	0,48
180	76	0,65
200	83	0,80
224	93	0,82
250	103	1,05

Bend

BUSS 30°

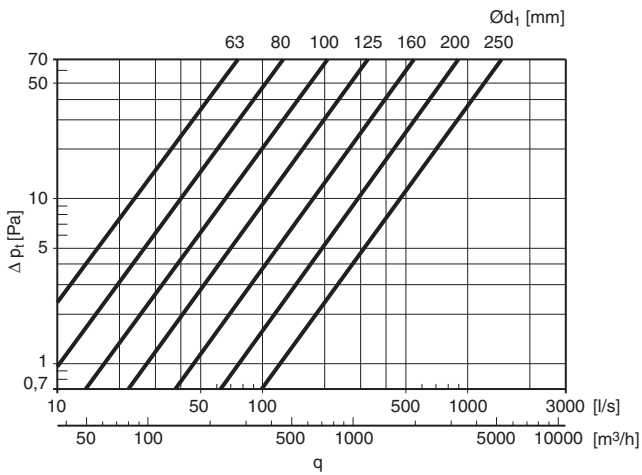


Description

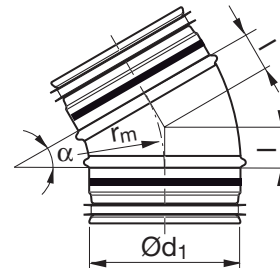
Pressed and seam welded bend.

The product is CE marked according to EN 12101-7 and used in a circular smoke control system - single compartment (see declaration of performance).

Technical data



Dimensions



$$r_m \approx 1 \cdot d_1$$

Ød ₁ nom	l [mm]	m [kg]
100	27	0,18
112	30	0,21
125	33	0,20
140	36	0,36
150	40	0,35
160	43	0,32
180	48	0,51
200	54	0,62
224	60	0,72
250	67	0,91

Bend

BUSS 15°

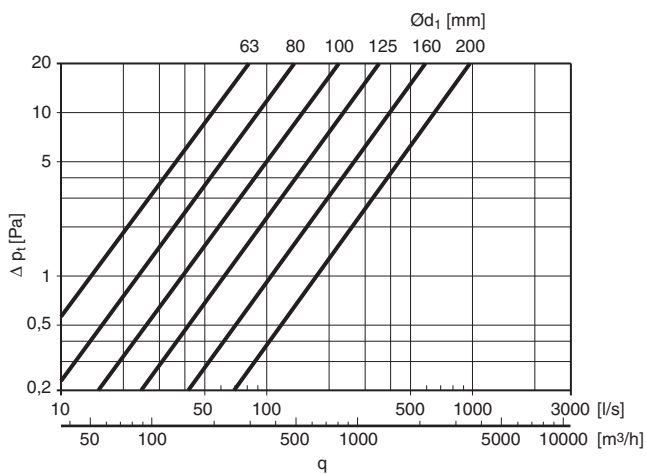


Description

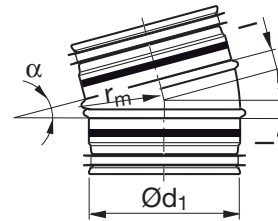
Pressed and seam welded bend.

The product is CE marked according to EN 12101-7 and used in a circular smoke control system - single compartment (see declaration of performance).

Technical data



Dimensions



$$r_m \approx 1 \cdot d_1$$

Ød ₁ nom	l [mm]	m [kg]
100	13	0,15
112 *	25	0,29
125	16	0,18
140 *	18	0,29
150 *	20	0,27
160	21	0,24
180 *	24	0,37
200	26	0,35
224 *	30	0,56

* Segmented and lockseamed