

Valve

TAV



Description

Valve for supply and exhaust air.
 Designed for natural ventilation. Can also be used as an outdoor air valve.
 Screws connect to a duct.

Materials and finish

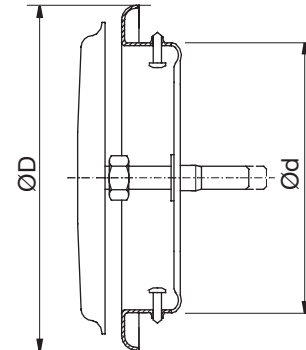
Material

Coated galvanized sheet metal.

Colour

White RAL 9003, gloss 30 or white RAL 9010 gloss 30.

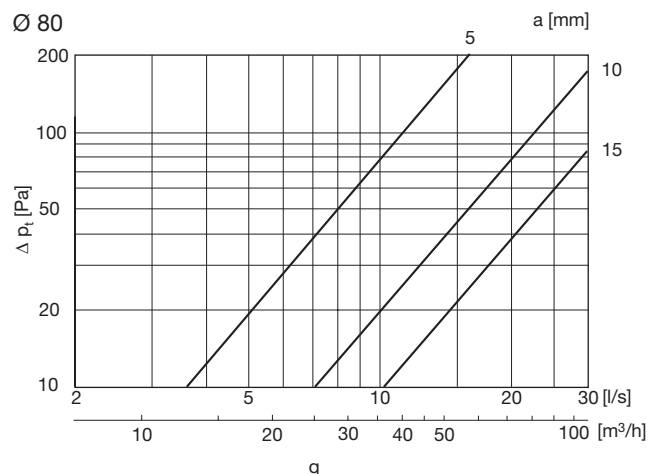
Dimensions



Ød nom	ØD [mm]	m [kg]
80	100	0,12
100	120	0,19
125	150	0,26
160	190	0,39
200	230	0,53
250	270	0,70
315	330	0,90

Technical data

Air flow, q [l/s] and [m³/h] and total pressure drop, Δp_t [Pa], for different settings, a [mm], are shown in the graphs.



Ordering example

Product	TAV	160	9003
Dimension Ød ₁			
Colour			

Valve

TAV

