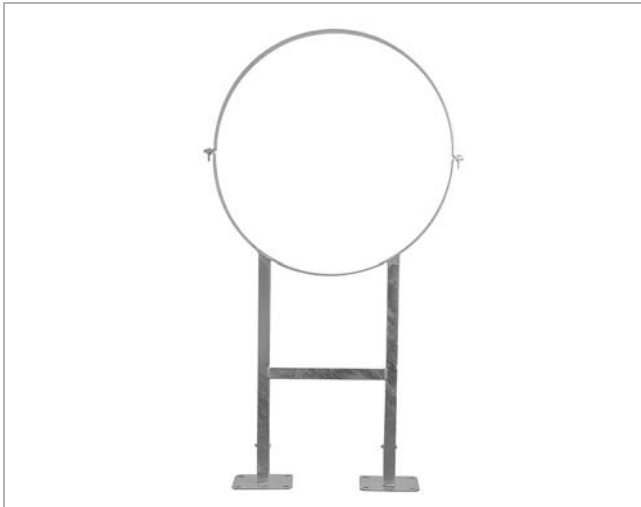


# Duct holder

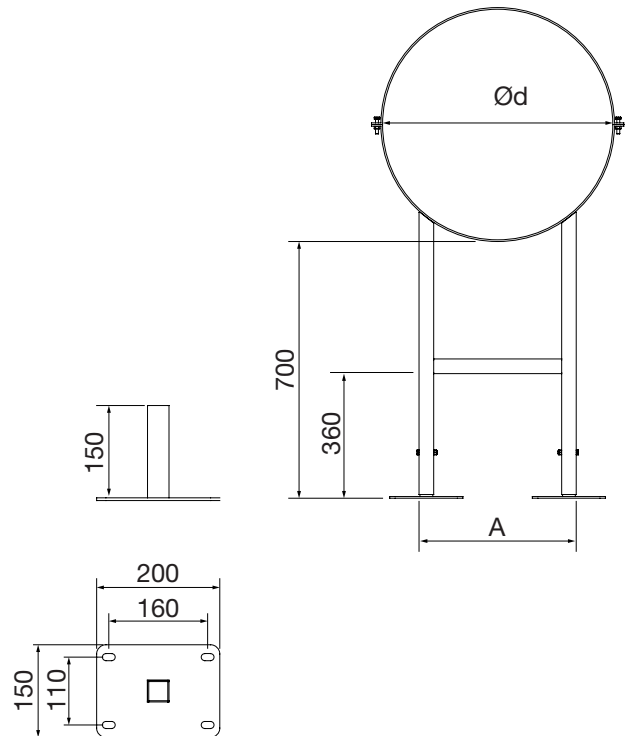
# RK2



## Description

Hot dip galvanized duct holder with foot.  
 The ring is joined with two M10 bolts and nuts.  
 The legs is joined with M10 bolts and nuts.  
 The foot has four 10x17 mm fastening holes.  
 The leg can be removed from the foot and be shortened to desired length. Is delivered assembled.

## Dimensions



ØD nom	Ring material mm	Hole mm	A mm	m kg
630	40x4	10 x 17	475	8,60
800	40x4	10 x 17	475	9,50
1000	40x4	10 x 17	780	11,70
1250	40x4	10 x 17	780	12,70

## Ordering example

