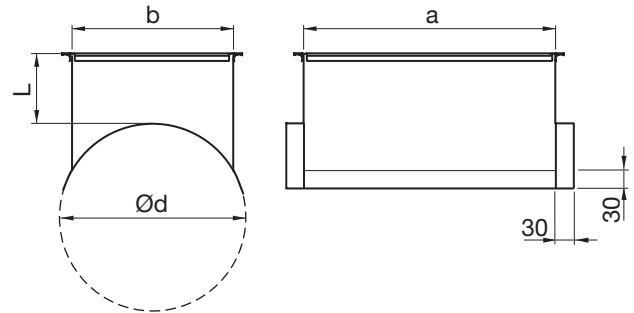


# Collar in circular duct

# LPSRSS



## Dimensions



## Dimensions

$\text{Ød}_{\text{max}}$	$\leq 1000 \text{ mm}$
$a_{\text{max}}$	$\leq 1900 \text{ mm}$
$b$	$(b \leq \text{Ød})$

## Description

The collar is used for connection to circular duct. The rectangular end is provided with joining profiles type RJFP. The rounded end has an edge, for fixing with blind rivets or self-tapping screws.

Other lengths can also be supplied.

The product is CE marked according to EN 12101-7 and used in a rectangular smoke control system - single compartment (see declaration of performance).

## Ordering example

	<b>LPSRSS</b>	<b>600</b>	<b>300</b>	<b>400</b>	<b>100</b>
Product					
Side a					
Side b					
Diameter Ød					
Length					