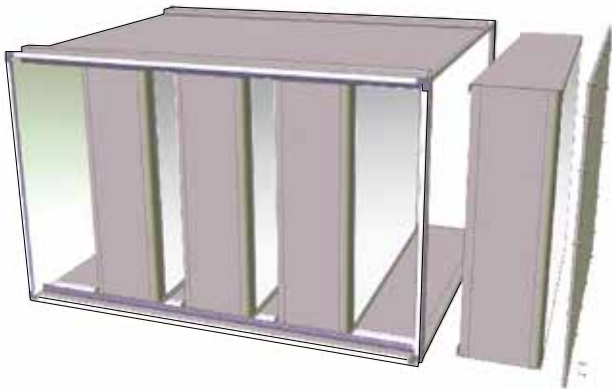


Openable duct attenuator with removable baffles

MINKA-A



Description

MINKA-A is an openable duct attenuator in galvanized.

Steel with splitters filled with mineral wool attenuation material. Wool is covered with fleece to prevent fibres coming out to the airflow. Splitters are removable for cleaning or replacement.

Bigger attenuators are reinforced by an outer modular frame.

Attenuator is equipped with joining profile LS1, RJFPC3 20, RJFPC3 30 or RJFPC3 40.

Attenuators can also be ordered with splitters protected by perforated plate.

Additional thermal insulation 50 mm (LE50) or more and fire insulation available on request.

To size the appropriate attenuator you can use our IT-online tool LindQST or DIMsilencer, where splitter distance, length and height can be optimized for the best performance.

Tested according to ISO 7235 standard.

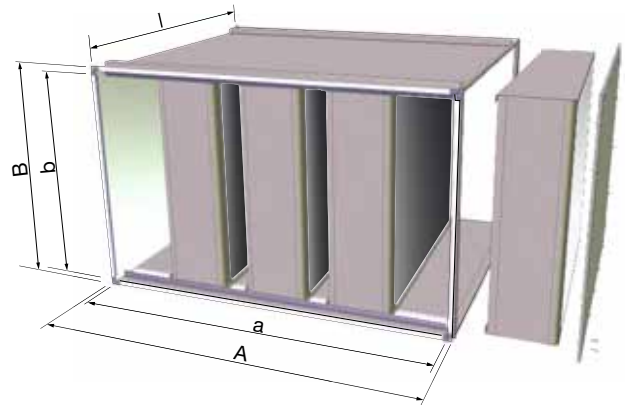
For special material and sizes, please contact to Lindab sales.

MINKA attenuator comes in two models. Non-openable MINKA and openable, fully cleanable MINKA-A.

The casing length of DACKA-A is 150 mm longer than MINKA with the same splitter length.

Dimensions

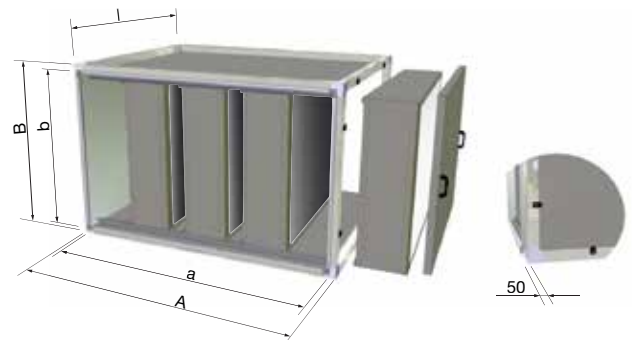
MINKA-A dimensions without reinforcement frame and without thermal insulation (LE50)



- a = Width
- A = a + 40 - 80 mm*
- b = Height
- B = b + 40 - 80 mm *
- l = Length

* Depending on the joining profile.

MINKA-A attenuator dimensions with reinforcement frame



- a = Width
- A = a + 100 mm
- b = Height
- B = b + 100 mm
- l = Length

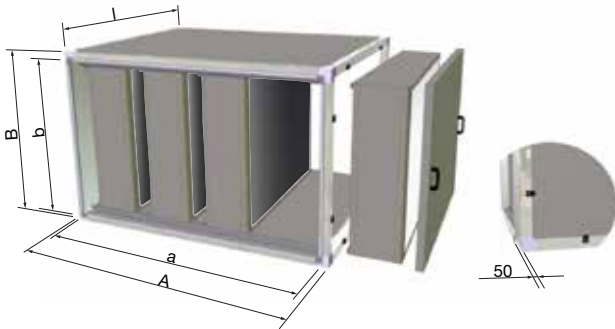
- If overall dimension a + b + l > 5m, the attenuator is reinforced by an outer aluminium modular frame profile.
- Special reinforcement frames available in smaller sizes on request.

Openable duct attenuator with removable baffles MINKA-A

Dimensions

MINKA-A attenuator dimensions with 50 mm thermal insulation (LE50)

a = Width
 A = a + 100 mm
 b = Height
 B = b + 100 mm
 l = Length



Order code

Product	MINKA-A	P	a	b	l	c	d	e	f	g
Type										
MINKA-A openable attenuator with removable splitters										
Splitters with mineral wool										
Product code (P)										
Calculate by LindQST or DIMsilencer										
Nominal dimensions (a)										
Width (a) in mm										
Min. - Max. 400 - 3000 mm										
Height (b) in mm										
Min. - Max. 300 - 3000 mm										
Length (l) in mm										
The total length of the attenuator is 150 mm more than the length of the splitters										
Min. - Max. 500 - 3000 mm										
Connection type (c)										
1 = LS1										
2 = RJFPC3 20										
3 = RJFPC3 30										
4 = RJFPC3 40										
Insulation (d)										
0 = Without thermal insulation										
LE50 = 50 mm thermal insulation										
Splitter protection (e)										
0 = Without perforated plate										
E = With perforated plate Insulation (d)										
Frame (f)										
0 = Without reinforcement frame										
R = With reinforcement frame										
Direction of inspection door (f)										
V = Left										
O = Right										
The direction of inspection door shows the direction of airflow when looking at the service side of the AHU										

Example: MINKA-A - 4005 - 900 x 600 - 1350 - 1 - 0 - 0 - V