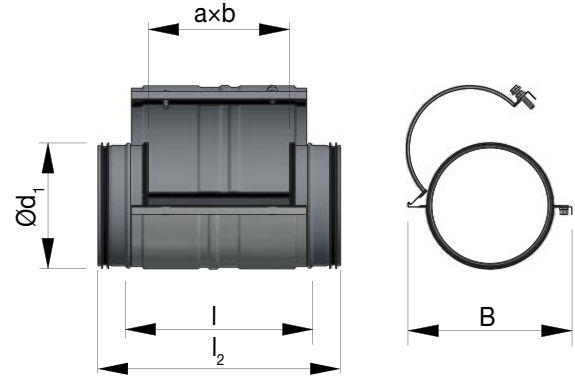


Access door

TLU



Dimensions



Description

Access door to circular duct.

Standard material galvanized steel.

Connections according to SFS 3282 standard.

Fulfils tightness class C

Easy to install.

| Ød_1 nom | I mm | I_2 mm | a^* mm | b^* mm | B mm | m kg |
|----------------------|------------------|--------------------|--------------------|--------------------|------------------|------------------|
| 80 | 245 | 325 | 180 | 80 | 140 | 0,6 |
| 100 | 245 | 325 | 180 | 100 | 160 | 0,7 |
| 125 | 245 | 325 | 180 | 125 | 185 | 0,8 |
| 160 | 245 | 325 | 180 | 160 | 220 | 1,0 |
| 200 | 245 | 325 | 180 | 200 | 260 | 1,5 |
| 250 | 300 | 420 | 230 | 250 | 310 | 2,0 |
| 315 | 300 | 490 | 280 | 315 | 375 | 3,0 |
| 400 | 370 | 510 | 280 | 400 | 460 | 4,2 |
| 500 | 640 | 800 | 470 | 500 | 570 | 10,0 |
| 630 | 650 | 820 | 470 | 630 | 700 | 12,0 |

*Note! Opening dimensions.

Ordering example

