

Bend, isol

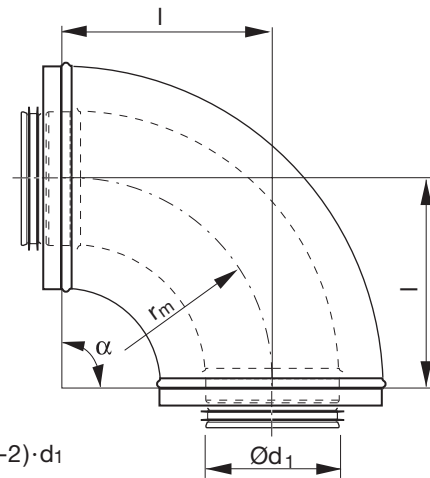
BUI 90°



Description

Bend with pressed outer casing.

Dimensions



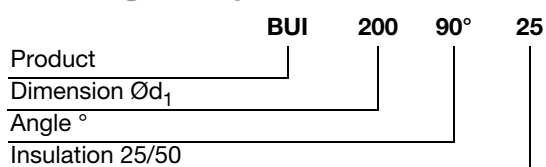
25 mm insulation.

Ød ₁ nom	l mm	m kg
100	150	1,70
125	180	2,40
150	200	3,10
160	200	3,60
200	250	5,10

50 mm insulation.

Ød ₁ nom	l mm	m kg
100	200	2,80
125	225	3,70
150	250	4,70

Ordering example

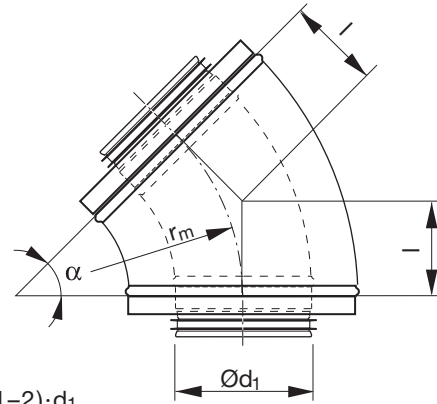


Bend, isol

BUI 45°

**Description**

Bend with pressed outer casing.

Dimensions

$$r_m \approx (1-2) \cdot d_1$$

25 mm insulation.

$\text{Ø}d_1$ nom	l mm	m kg
100	62	1,20
125	73	1,40
150	83	1,90
160	83	2,10
200	104	2,80

50 mm insulation.

$\text{Ø}d_1$ nom	l mm	m kg
100	83	1,60
125	93	2,20
150	104	2,60

Bend, isol

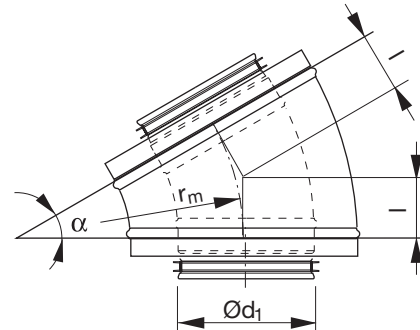
BUI 30°



Description

Bend with pressed outer casing.

Dimensions



$$r_m \approx (0.8-2) \cdot d_1$$

25 mm insulation.

$\varnothing d_1$ nom	l mm	m kg
100	40	0,90
125	47	1,20
150	54	1,40
160	67	1,60
200	67	2,60

50 mm insulation.

$\varnothing d_1$ nom	l mm	m kg
100	54	1,20
125	60	1,40
150	67	2,20