



# Lindab **Premax / Premium**

Quick installations guide



# Quick installations guide Premax/Premum

## Symbols



Hot water



Hand-pull



Cold water



Heavy Load - 2 man job - It is recommended to use a "lift" for mounting.

## Tools



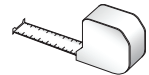
Knife



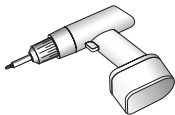
Gloves



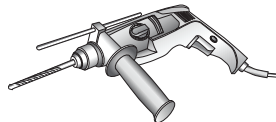
Shoes with soft soles



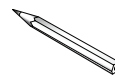
Tape measure



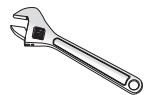
Drill machine



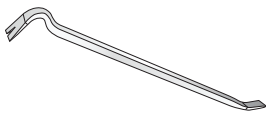
Percussion drill



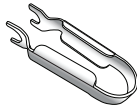
Pencil



Spanner



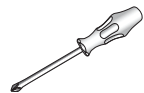
Crowbar



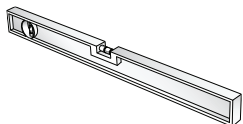
Tectite tool 12 mm  
(Order no: 884087)



Tectite tool small 12 mm (Order no: 646881)



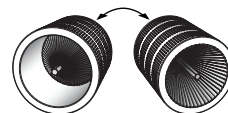
Screwdriver



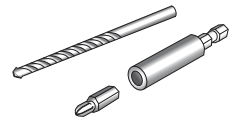
Spirit level



Lindab PC410  
(Order no: 103344)



Deburring tool



Bits and drills



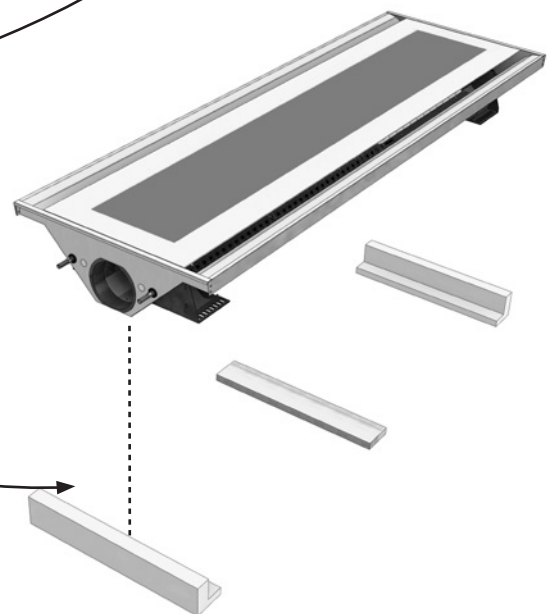
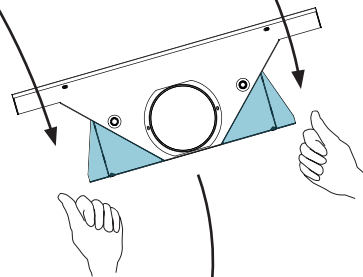
Vacuum cleaner



Dust-cleaner

# Quick installations guide Premax/Premum

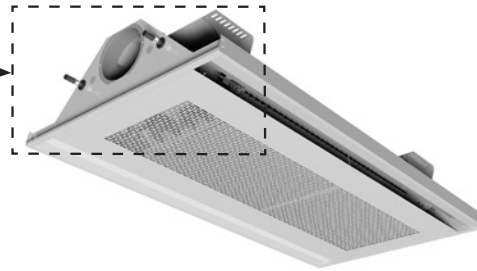
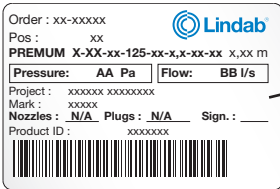
## Packing and unpacking



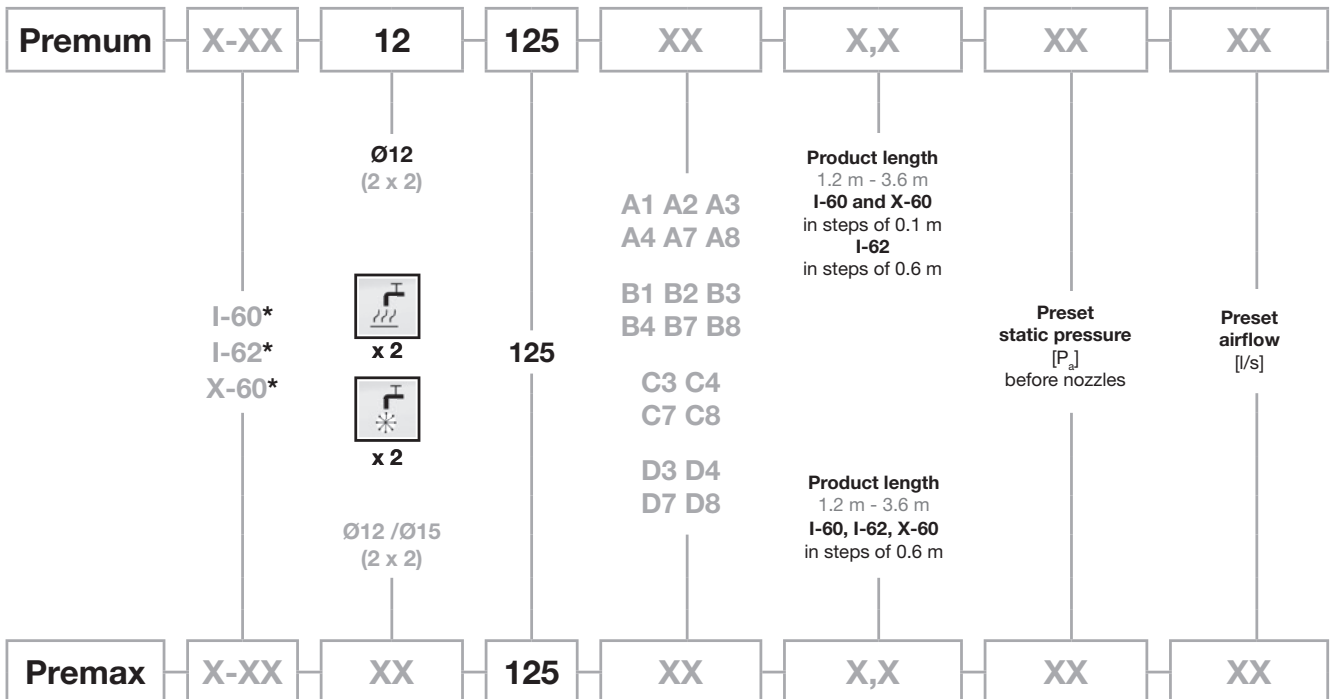
For content please refer to [Installation instruction](#).

# Quick installations guide Premax/Premum

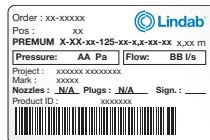
Order code label



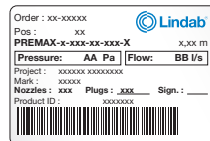
Premum / Premax



\* As a plus feature the Premum/Premax Y-60 and Z-60 models can be ordered as well. See 3.2 for more details.



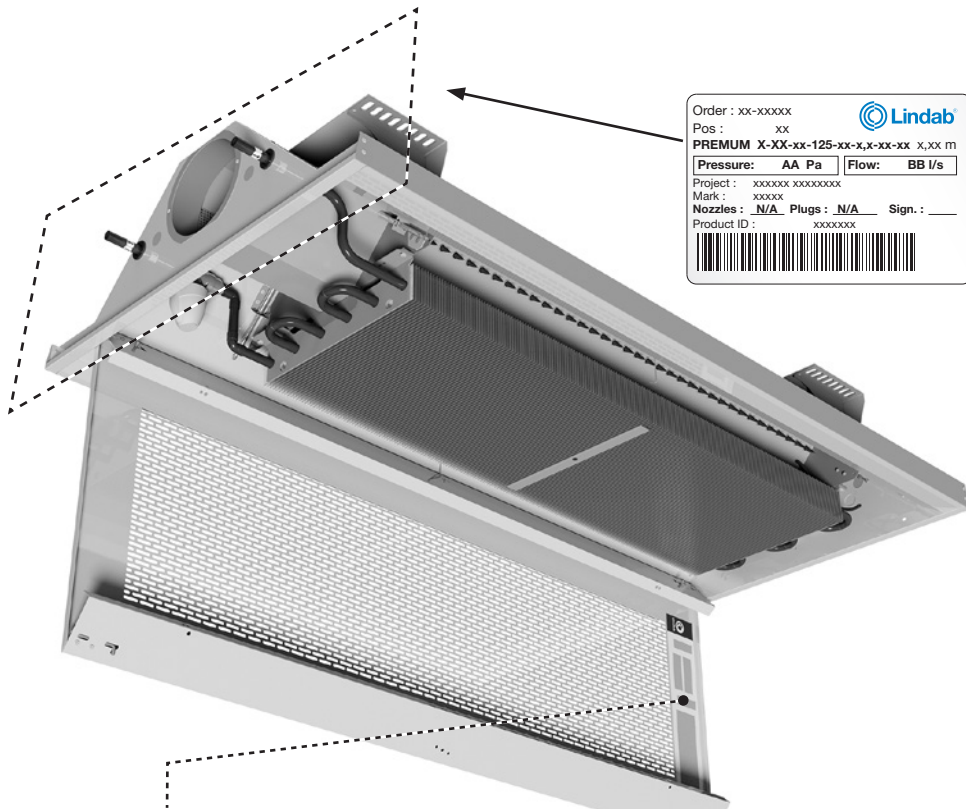
→ Premum - I-60 - 12 - 125 - A1 - 2.5 - 60 - 15




→ Premax - I-60 - 15 - 125 - A1 - 2.4 - 60 - 15


# Quick installations guide Premax/Premum

## Dimensions

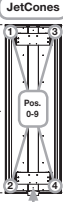
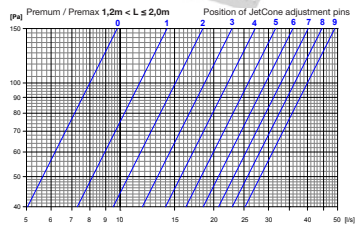


Order : xx-xxxxx  
 Pos : xx  
**PREMIUM X-XX-xx-125-xx-x,x-xx-xx x,xx m**  
 Pressure: AA Pa Flow: BB l/s  
 Project : xxxxxx xxxxxxxx  
 Mark : xxxxx  
 Nozzles : N/A Plugs : N/A Sign. :  
 Product ID : xxxxxxxx

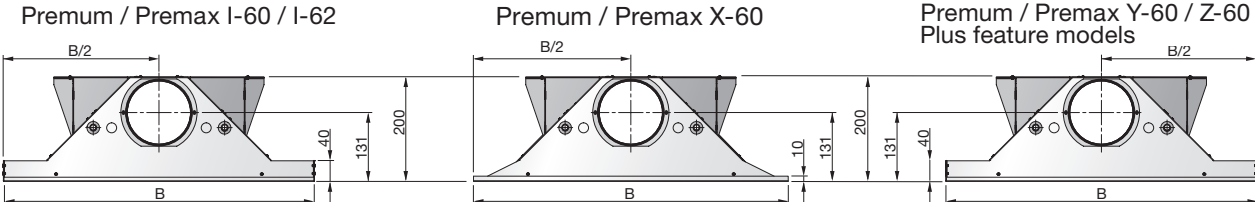
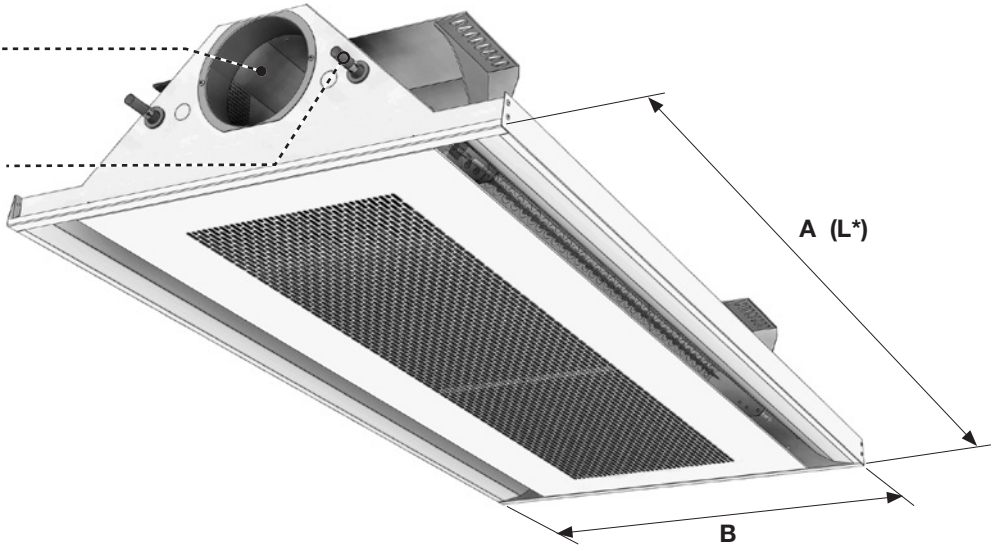




Date	P <sub>stat</sub> [Pa]	q <sub>v</sub> [l/s]	1	2	3	4	Signature

Ø 125  
 Premum 12 mm  
 Premax 12 / 15 mm



# Quick installations guide Premax/Premum

## Material data

Type	Premum	Premax
Dry weight [kg/m]	15	18
Water content, cooling [l/m]	0.6	1.2
Water content, heating [l/m]	0.2	0.2
Copper pipes quality	EN 12735-2 CU-DHP	

### Environmental Declarations

Please follow the links below

- [Building product declaration](#)
- [Declaration of conformity](#)
- [Eurovent certificate](#)

### Pressure Class

The waterborne products in Lindab, active chilled beams (battery products), passive chilled beams (battery and strips products), facade units (battery) and radiant panels (strips and panels) are produced according to pressure class PN10 according to EN 1333: 2006.

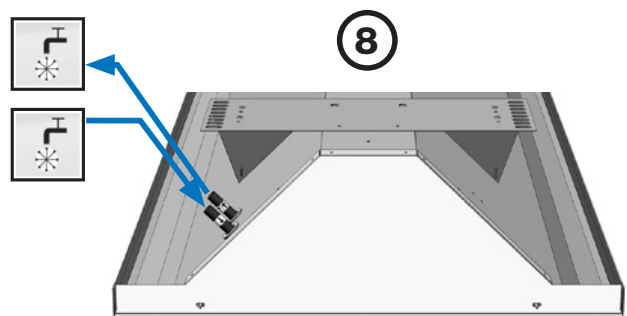
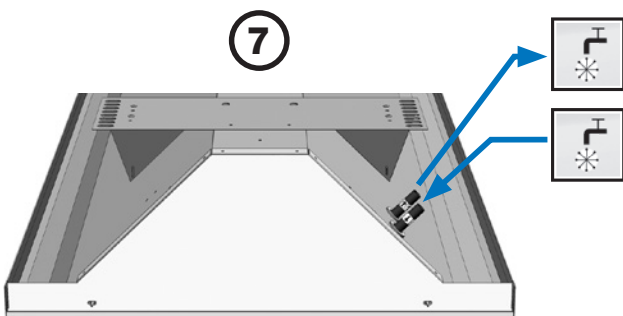
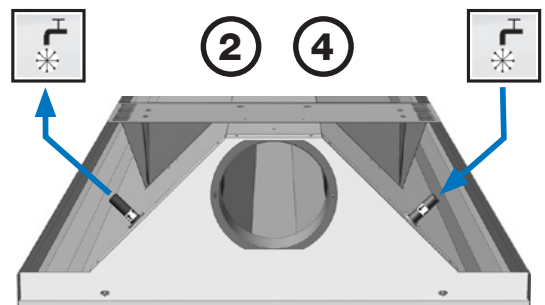
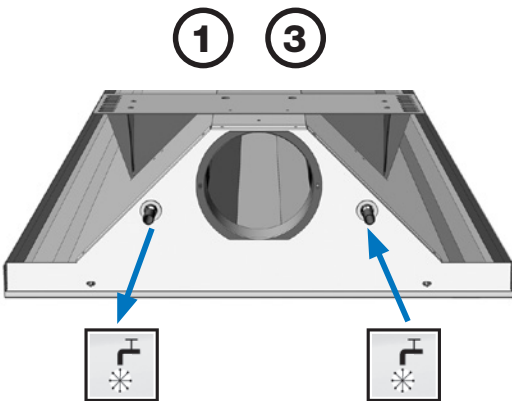
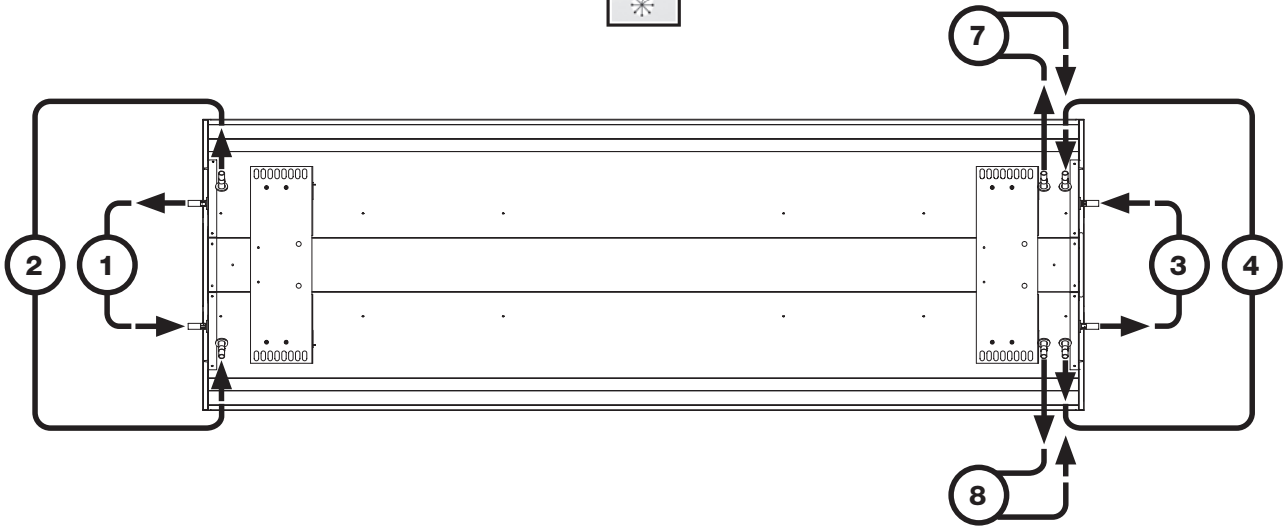
This means the maximal working pressure for the products at a water temperature of 20°C must not exceed 10 bar.

# Quick installations guide Premax/Premum

## Water connections

Premum/Premax I-60, I-62, X-60 cooling (standard), Y-60, Z-60 (plus features).

1, 2, 3, 4, 7, 8

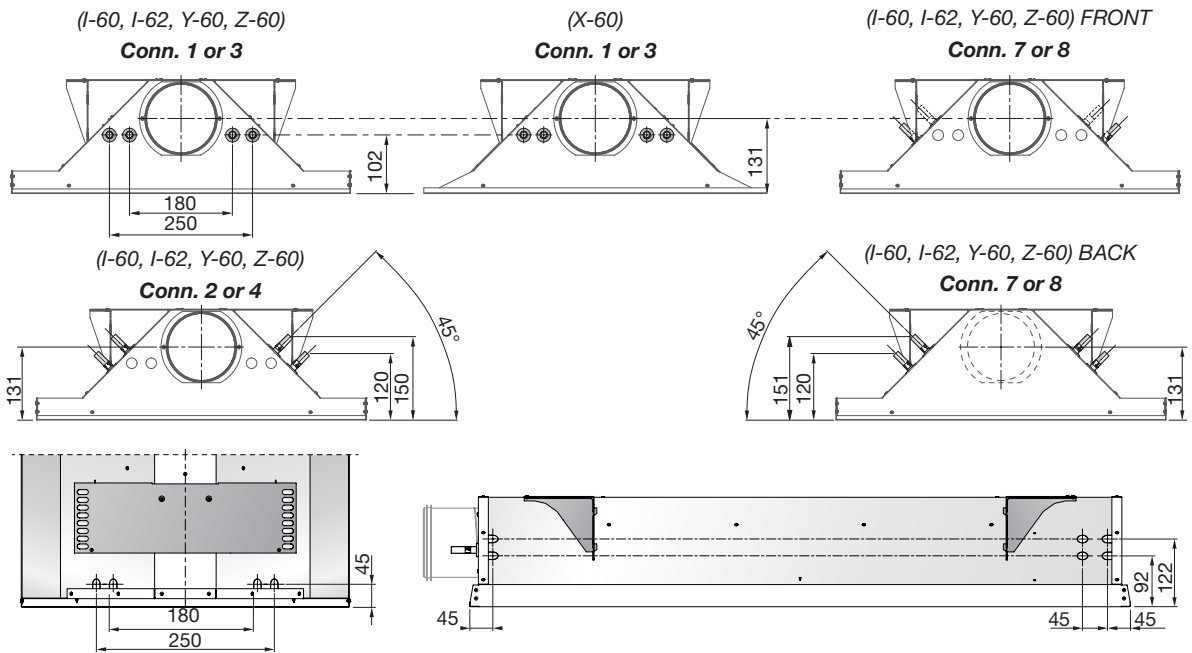
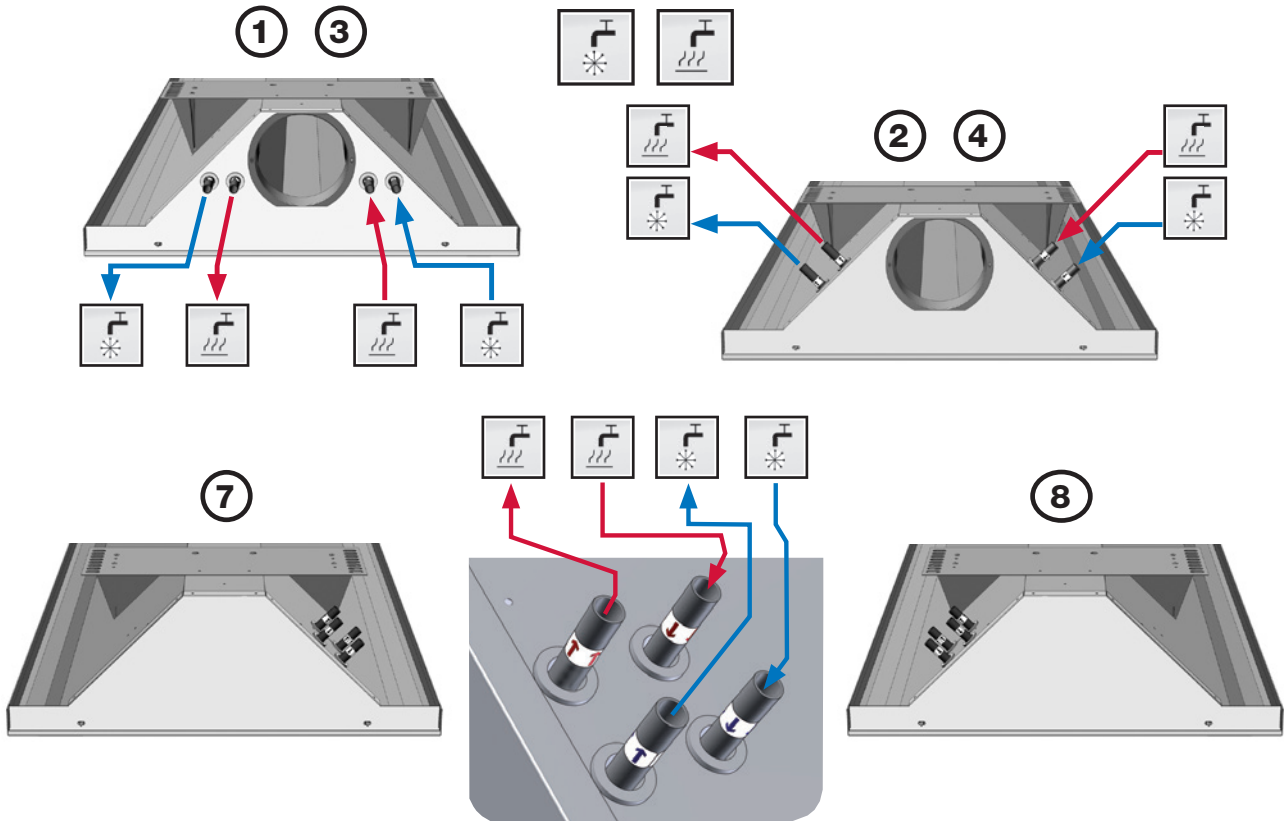


# Quick installations guide Premax/Premum

## Water connections

Premum/Premax I-60, I-62, X-60, Y-60, Z-60 cooling and heating (plus feature).

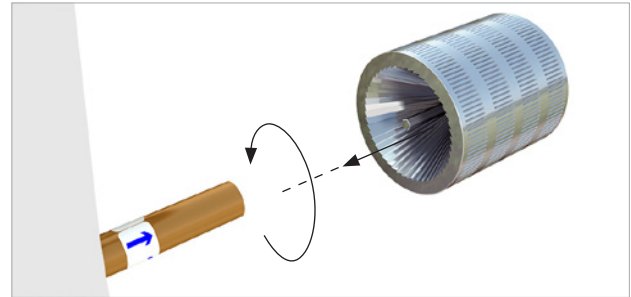
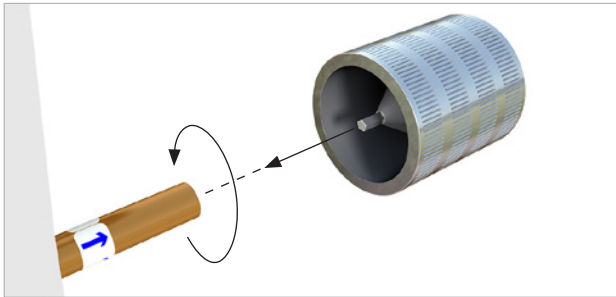
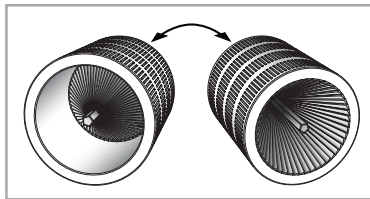
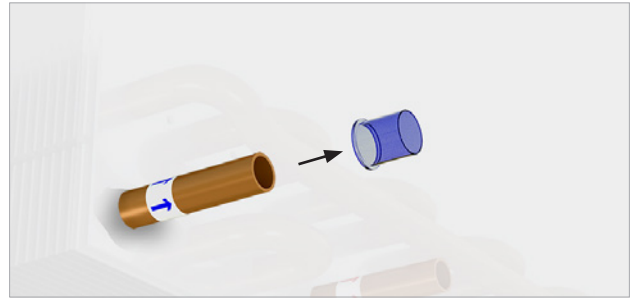
**1, 2, 3, 4, 7, 8**



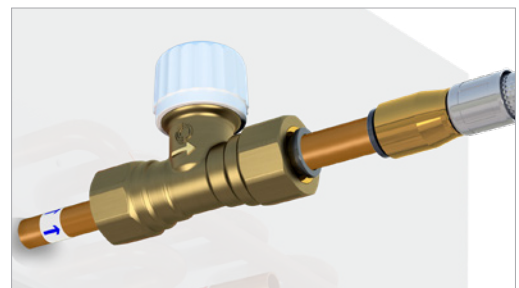
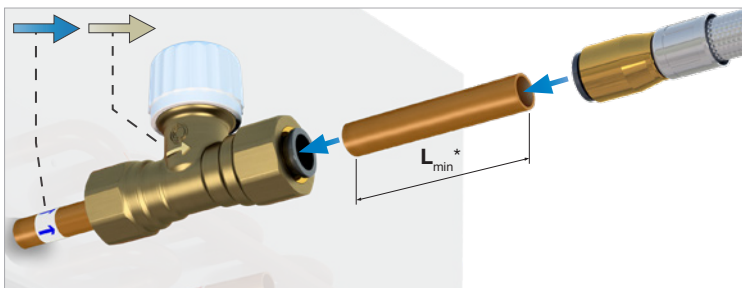
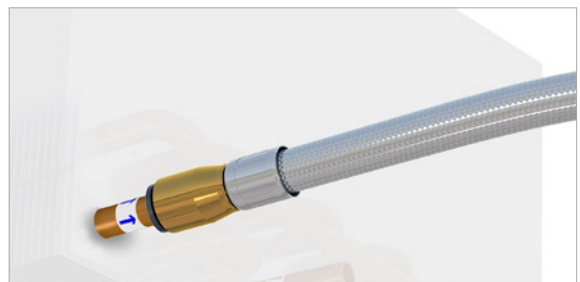
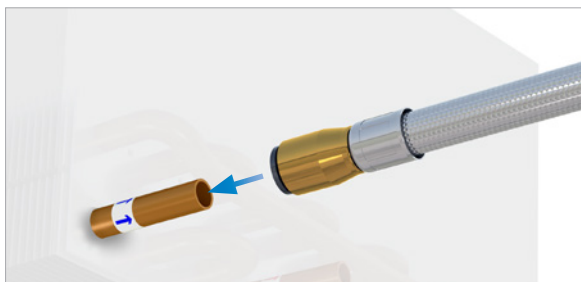


# Quick installations guide Premax/Premum

## Before installation



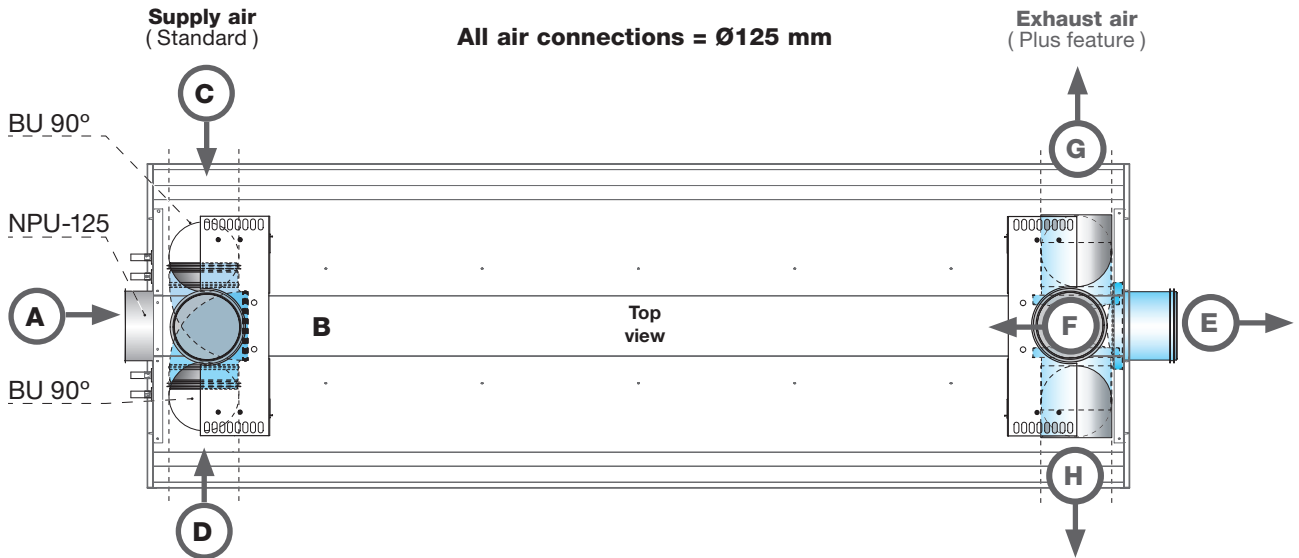
## Flexible hoses and Push-on valves



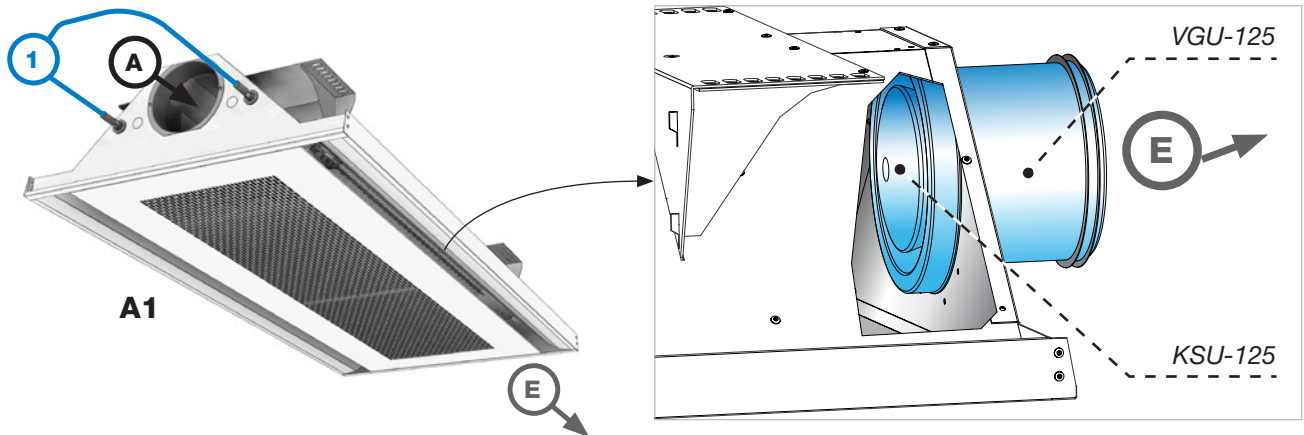
\*  $L_{min} = 70 \text{ mm}$  (to ensure you can open the couplings again).  
 Lindab flexible hoses are available with straight end (male) for direct connection to Lindab valves also.

# Quick installations guide Premax/Premum

## Connections



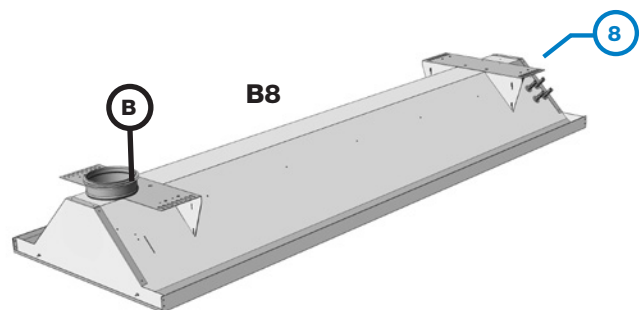
Premax A1 with plus feature exhaust option E.



Possible combinations of connections (standard).

Possible Premum /Premax connections,  
Supply air (A, B, C, D) and water (1, 2, 3, 4, 7, 8).

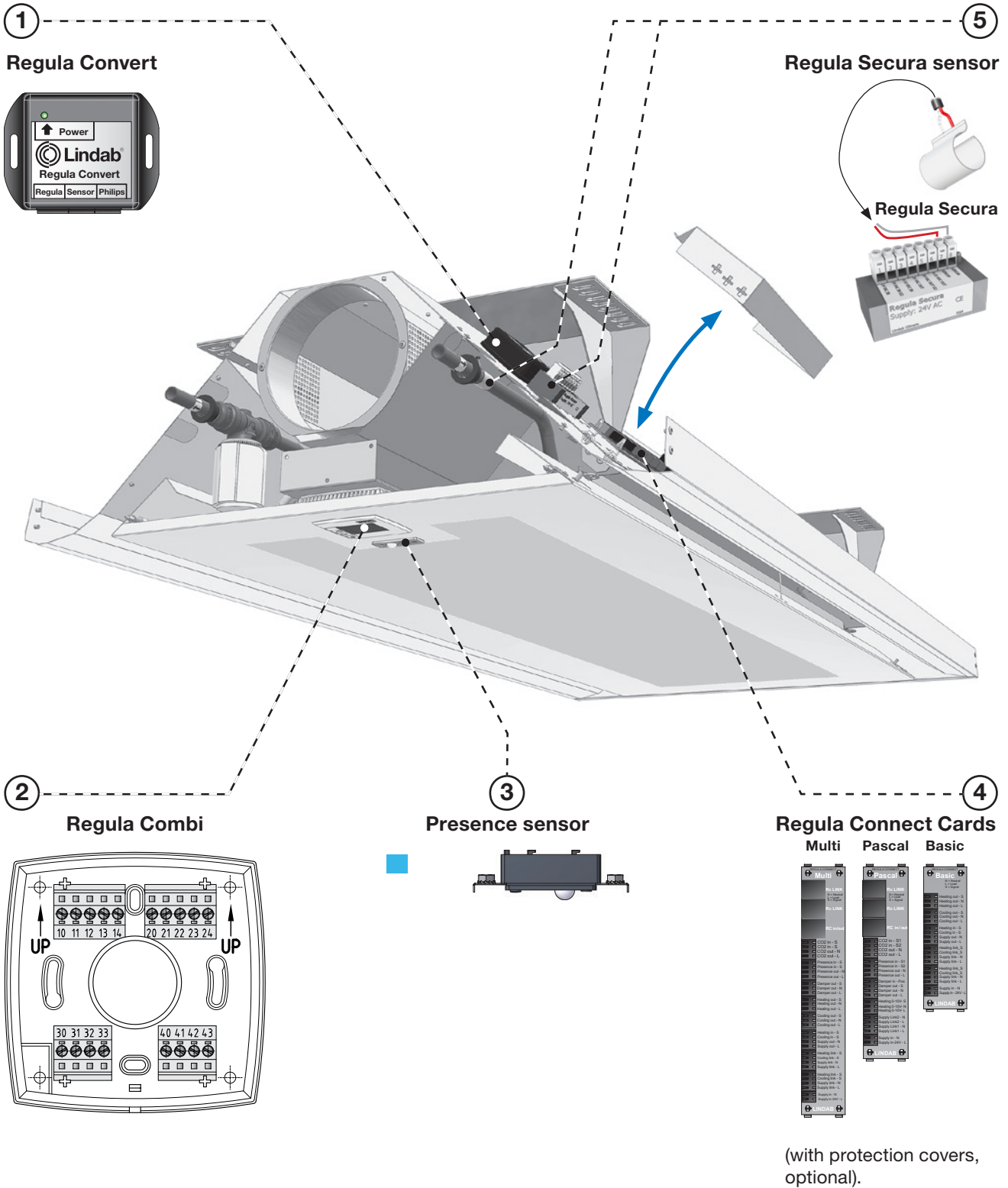
- A:** 1, 2, 3, 4, 7, 8
- B:** 1, 2, 3, 4, 7, 8
- C:** 3, 4, 7, 8
- D:** 3, 4, 7, 8



# Quick installations guide

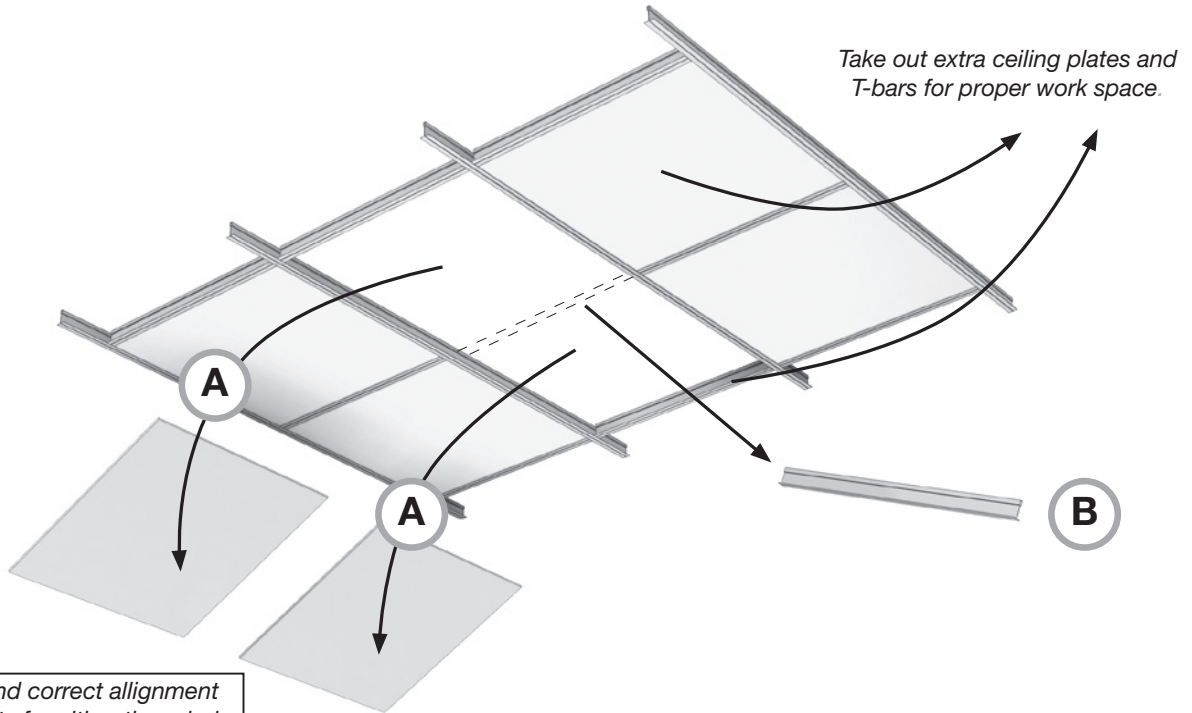
# Premax/Premium

## Electrial connections

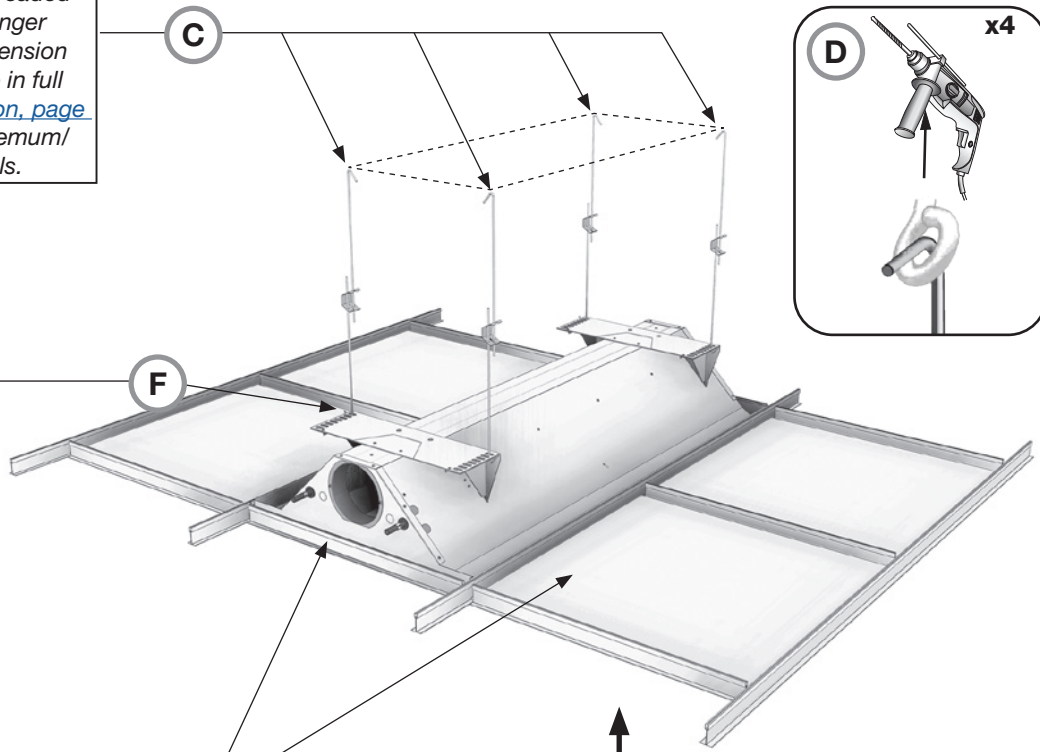
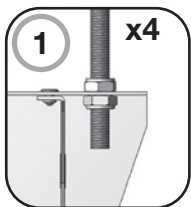
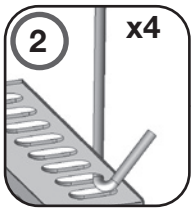
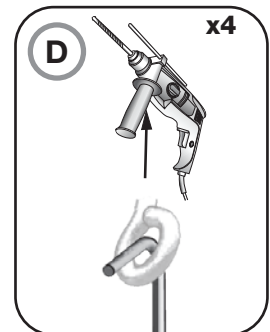


# Quick installations guide Premax/Premum

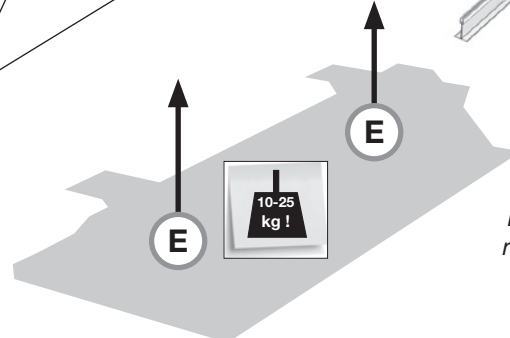
## Installation



To find correct alignment points for either threaded rods or MHS-hanger solutions, see dimension drawing and table in full [installation instruction, page 22](#), covering all Premum/ Premax models.



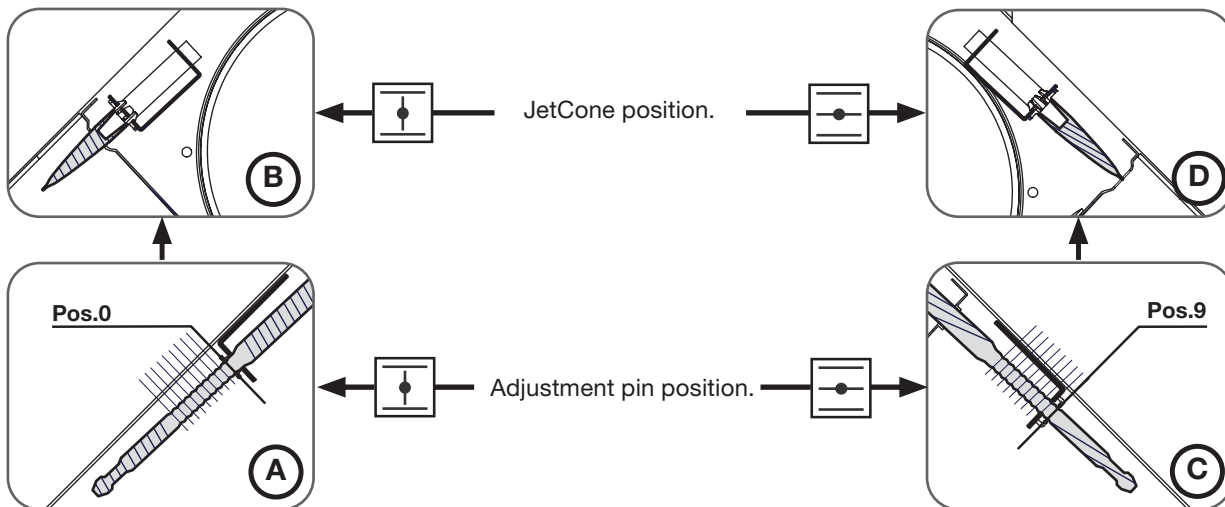
Re-insert T-bars and ceiling plates



**Heavy load !**  
 Longest Premum/ Premax models are 3.6 meters with a weight at aprox. 65 kg. Use professional lifting equipment.

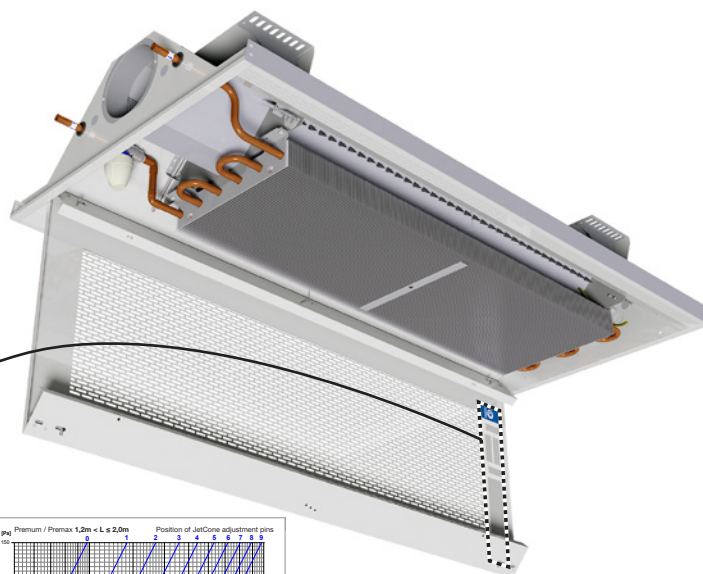
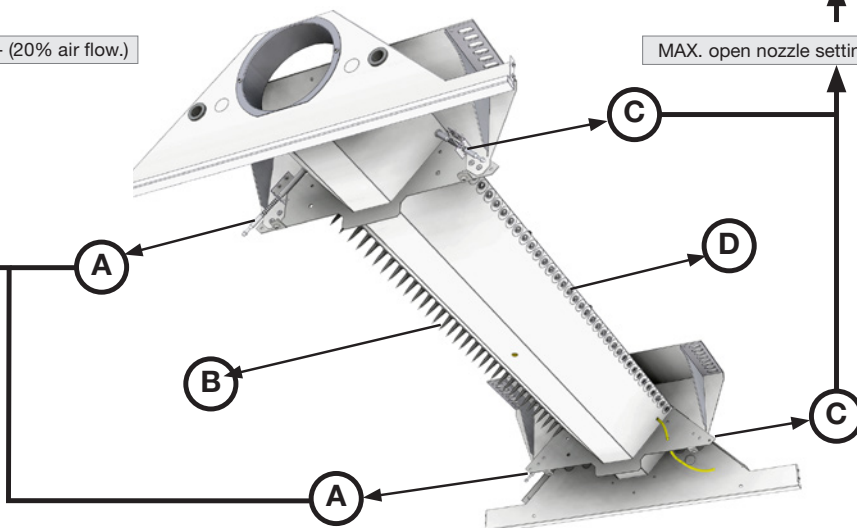
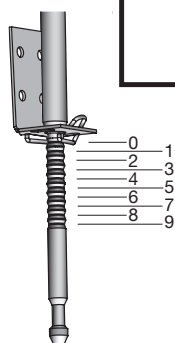
# Quick installations guide Premax/Premum

## JetCone adjustment



MAX. closed nozzle setting - (20% air flow.)

MAX. open nozzle setting - (100% air flow.)



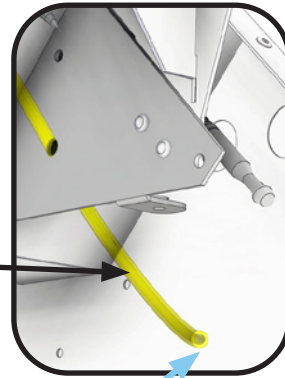
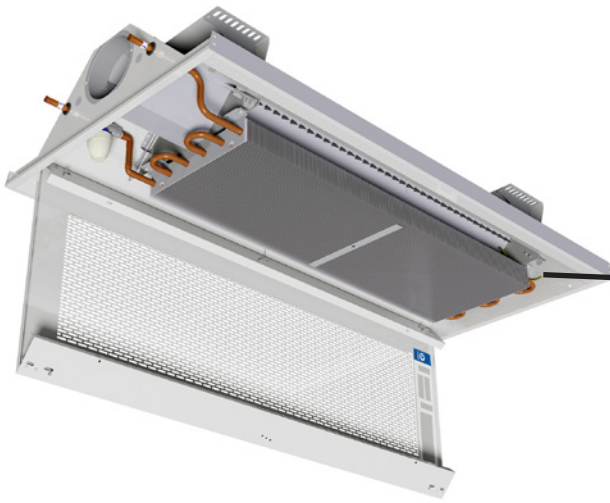
Date	$P_{tot}$ [Pa]	$q_v$ [l/s]	1	2	3	4	Signature

Position of JetCone adjustment pins

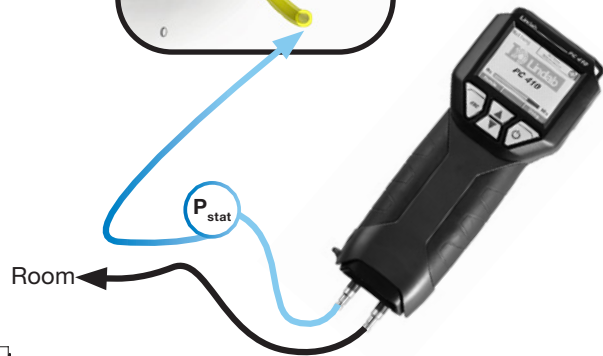
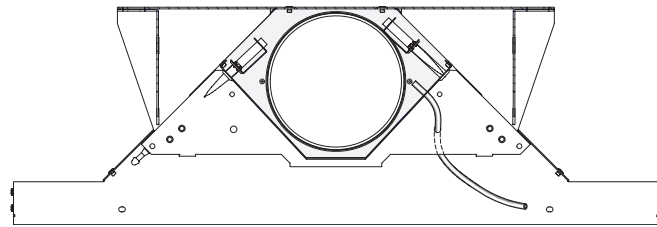
# Quick installations guide

# Premax/Premum

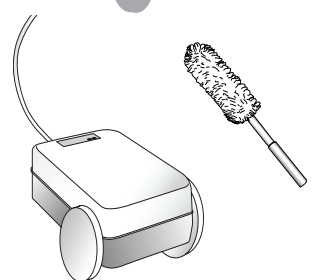
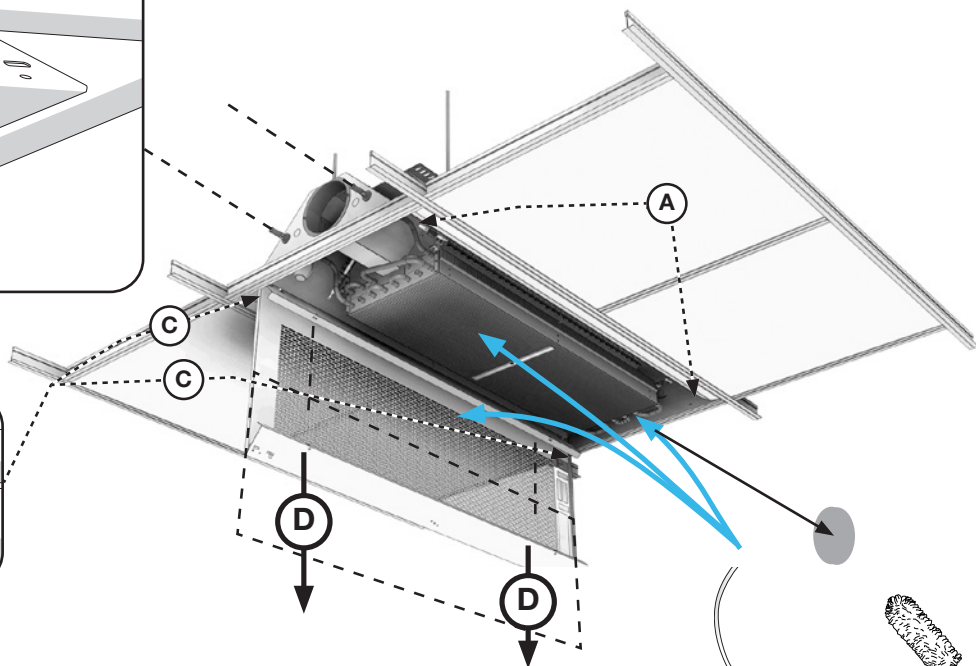
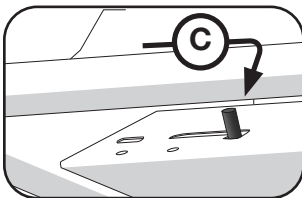
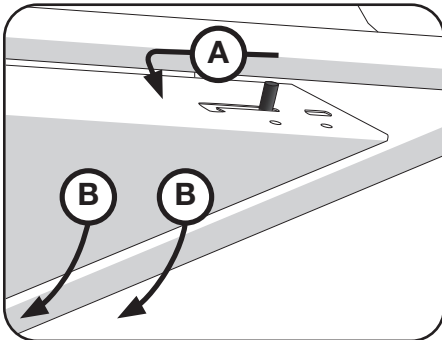
## Measuring static nozzle pressure



Lindab PC410  
Order no.:  
103344



## Maintenance





Most of us spend the majority of our time indoors. Indoor climate is crucial to how we feel, how productive we are and if we stay healthy.

We at Lindab have therefore made it our most important objective to contribute to an indoor climate that improves people's lives. We do this by developing energy-efficient ventilation solutions and durable building products. We also aim to contribute to a better climate for our planet by working in a way that is sustainable for both people and the environment.

[Lindab](#) | For a better climate