

Roof hood

VHA



Description

The VHA exhaust hood gives the possibility for an architectally correct ending of air outlet on the roof. The exhaust hood is as standard delivered in galvanised design, but can also be delivered in black powder coating. The hood is equipped with an internal cone, which leads the rain water out over the duct sides.

The air is thrown away with an upward jet. Hence pollution of the air around the hood and dirt on the roof surface around the hood. The exhaust is so effective that quite easily an air intake can be mounted close up, e.g. lamella hood VHL, which designwise suits VHA.

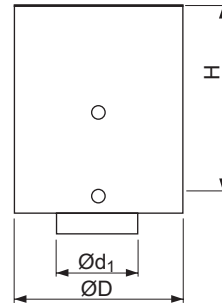
Material and finish

VHA = galvanized
 VHA-S = black powder coated

Ordering example

	VHA	250	400	S
Product				
Dimension $\varnothing d_1$				
Dimension $\varnothing D$				
Material				

Dimensions



$\varnothing d_1$ nom	$\varnothing D$ nom	H mm	m kg
100	224	210	0,90
125	250	230	1,20
160	280	310	2,10
200	315	380	3,20
250	400	437	4,90
315	450	540	9,60
400	560	700	13,3
500	710	840	22,5

H = Built-in measurements

Mounting

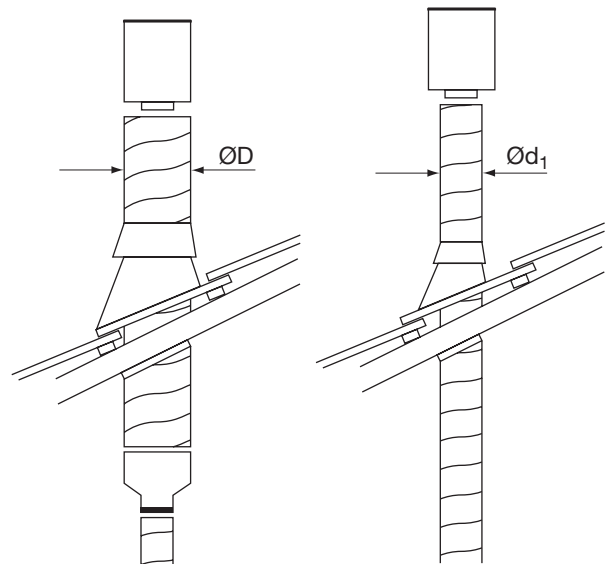
In order to achieve a harmonic transition from duct to hood, the connection to the hood can be chosen either as a duct or as a roof transition (e.g. GISOL or GISOLP) with its dimension corresponding to $\varnothing D$ (see mounting proposal 1). The exhaust hood can well be mounted directly on a duct with the diameter $\varnothing d_1$ (see mounting proposal 2).

$\varnothing d_1$ = male measure

$\varnothing D$ = female-female measure (fits outside a duct)

Alternative 1

Alternative 2

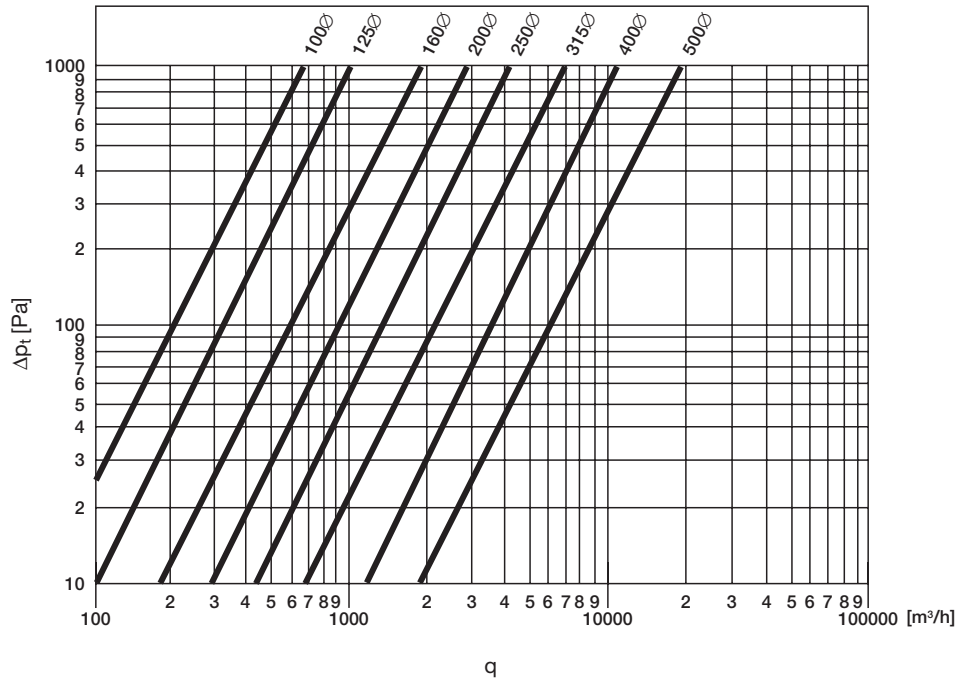


Roof hood

VHA

Technical data

Pressure loss



Sound data

