

## Mechanical duct thermostat

## PRO-DT



### Description

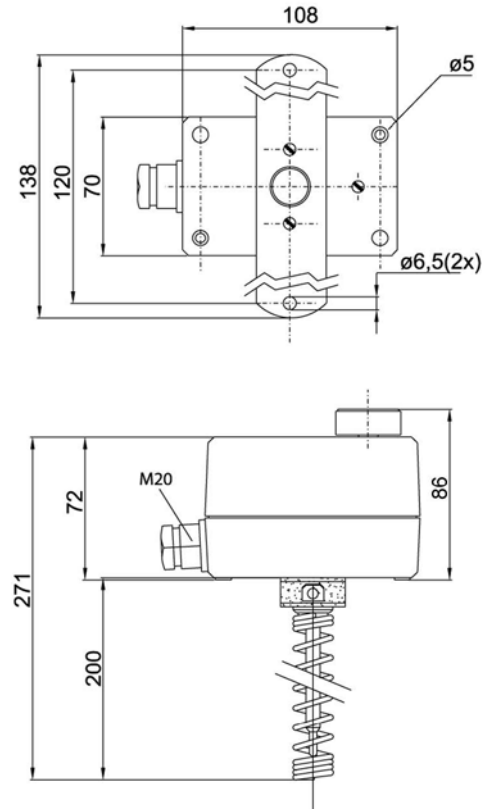
PRO-DT is an electro-mechanical thermostat, constructed for duct mounting. The capillary tube is a liquid-filled copper bulb with a 200 mm protection spring area and a mounting bracket. The micro-switch is capable of breaking up to 15 A at 230V AC.

### CE

Low Voltage Directive (LVD) standards: This product conforms to the requirements of the European Low Voltage Directive (LVD) 2014/35/EU through product standard EN 60335-1.

**RoHS:** This product conforms to the Directive 2011/65/EU of the European Parliament and of the Council through standard EN 50581:2012.

### Dimensions



Measurements in mm.

### Ordering example

Product **PRO-DT**

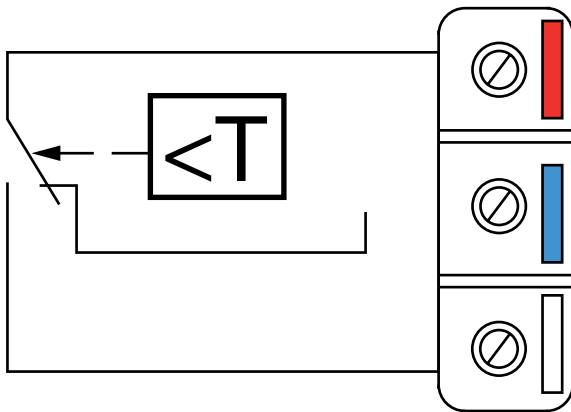
# Mechanical duct thermostat

# PRO-DT

## Technical data

Sensor element	Liquid-filled copper bulb with 200 mm protection spring and mounting bracket
Contacts	Dust-tight microswitches with SPDT contacts (heat/cool)
Switch capacity	15 (8) A, 24...250 V AC
Ambient temperature	-35...+65°C
Ambient humidity	200 / Ø 21 mm
Insertion length	±2 Pa
Protection class	IP65
Isolation class	1
Weight	690 g
Storage temperature	-40...+70°C
Accessories, included	Two pressure outlets (straight) and 2 m plastic tube. Art. no.: ANS-20
Storage humidity	up to 95% RH
Temperature range	50...120°C
Steps	1
Hysteresis	Manual max. reset
Max. bulb temp	140°C

## Wiring



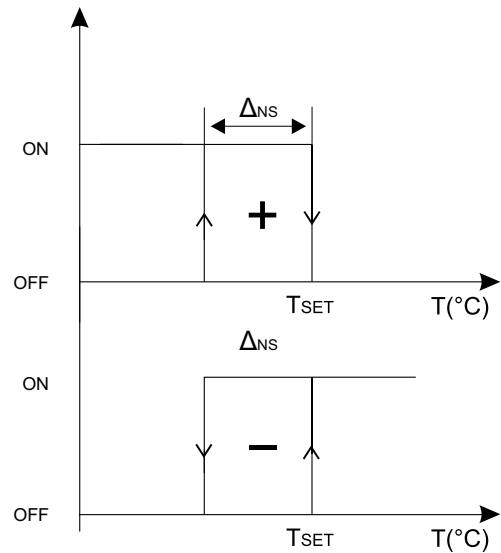
### Heating

Connect to the red and blue terminal. The contact will open when the temperature rises.

### Cooling

Connect to the red and white terminal. The contact will open when the temperature drops.

## Logic activation



Heating Contacts red-blue  
 Cooling contacts red-white

$\Delta_{\text{NS}}$ : Hysteresis in the stage  
 $T_{\text{SET}}$ : Setting setpoint  
 ON: Closed contact  
 OFF: Open contact