

# Bend

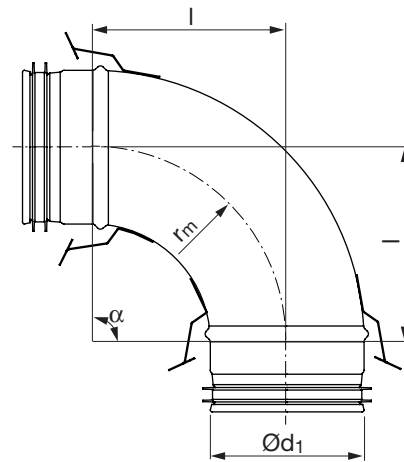
# BULFPE



## Description

Used for semiflexible ducts when small radius is required. It is supplied with clips to hold the semiflexible duct - Smart lock function

## Dimensions



Ød <sub>1</sub> nom	l [mm]	m [kg]
63	100	0,20
76	80	0,14

## Ordering example

