

Roof weather protection

VING/VINS



Description

The roof weather protection cover type VING is made of flexible roof sheet, which can easily be shaped after the shape of the roof. The cone and the accompanying duct collar are made of galvanized sheet.

When mounted, the duct collar together with sealant creates a watertight sealing.

VING/VINS are available in angles 10-32°, 31-45° and 46-65°

VING/VINS are delivered sealed of around the cone.

Material

VING - Galvanized sheet and grey roofplate.

VINS - Galvanized sheet and powder coated in black and black roofplate.

Maintenance

Check the assembled product at two-year intervals for possible wear.

Mounting

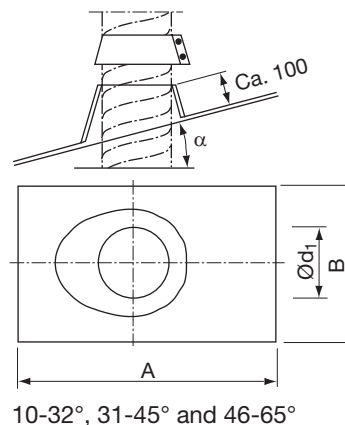
Before mounting VING/VINS, it must be checked for possible damage caused during transport.

After mounting VING/VINS, it must be checked for possible damage caused during mounting.

Ordering example

	VING	250	31-45°
Product			
Dimension Ød			
Angle α			

Dimensions



VING/VINS 10-32°

Ød nom	A mm	B mm
80	840	470
100	840	470
125	840	525
160	840	525
200	1120	580
224	1120	635
250	1120	635
280	1120	685
315	1120	685
355	1120	750
400	1120	940
450	1120	940
500	1120	940
560	1360	940
630	1360	1020
710	1360	1150
800	1640	1325

Roof weather protection

VING/VINS

Dimensions

VING/VINS 31–45°

Ød nom	A mm	B mm
80	840	470
100	840	470
125	840	550
160	840	550
200	1120	600
224	1120	635
250	1120	635
280	1120	685
315	1120	705
355	1120	940
400	1120	940
450	1360	1020
500	1360	1020
560	1640	1100
630	1640	1100
710	1604	1320
800	1920	1360

VING/VINS 46–65°

Ød nom	A mm	B mm
80	840	470
100	840	470
125	1120	550
160	1120	625
200	1120	625
224	1360	705
250	1360	705
280	1360	940
315	1360	940
355	1360	940
400	1640	940
450	1640	940
500	1920	995