

# Bend, isol

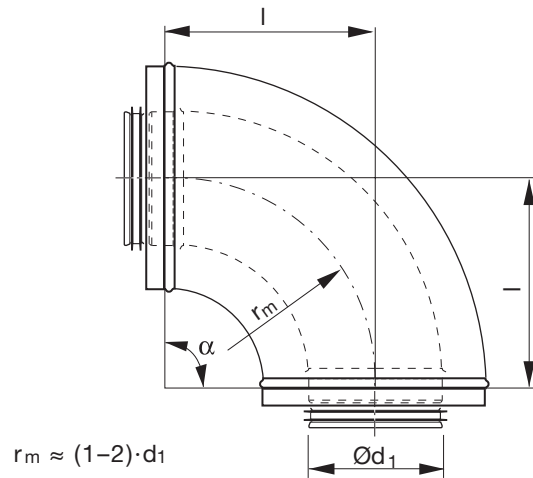
# BUI 90°



## Description

Bend with pressed outer casing.

## Dimensions



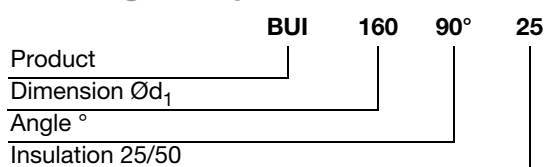
### 25 mm insulation.

$\text{Ø}d_1$ nom	l mm	m kg
100	150	1,70
150	200	3,10
160	200	3,60

### 50 mm insulation.

$\text{Ø}d_1$ nom	l mm	m kg
100	200	2,80
150	250	4,70

## Ordering example

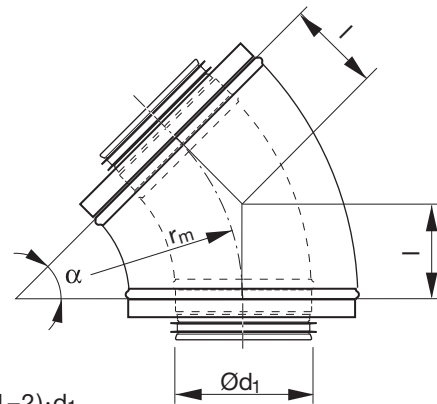


## Bend, isol

## BUI 45°

**Description**

Bend with pressed outer casing.

**Dimensions**

$$r_m \approx (1-2) \cdot d_1$$

**25 mm insulation.**

$\text{Ø}d_1$ nom	l mm	m kg
100	62	1,20
150	83	1,90
160	83	2,10

**50 mm insulation.**

$\text{Ø}d_1$ nom	l mm	m kg
100	83	1,60
150	104	2,60

# Bend, isol

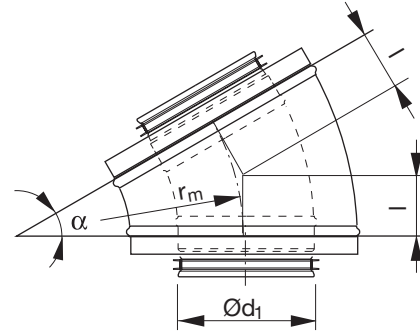
# BUI 30°



## Description

Bend with pressed outer casing.

## Dimensions



$$r_m \approx (0.8-2) \cdot d_1$$

### 25 mm insulation.

$\text{Ø}d_1$ nom	l mm	m kg
100	40	0,90
150	54	1,40
160	67	1,60

### 50 mm insulation.

$\text{Ø}d_1$ nom	l mm	m kg
100	54	1,20
150	67	2,20